

# Electronic Cassette Dispenser Floor Stand 3-Piece Pole Instruction Sheet

## Taking a Stand on Clean Hands

The new Electronic Cassette Dispenser Floor Stand now makes it even easier to keep hands clean and sanitized in your facility. This stand, combined with an Electronic Cassette Dispenser, provides flexibility in placing hand sanitizing stations in multiple locations.

**Product Code 11430 Description:**

Dispenser Floor Stand for Electronic Cassette Skin Care Dispensers, available in black metal and plastic construction. Includes base, 3-piece pole, mounting plate, and hardware. 3-piece pole enables short, medium and tall dispenser presentation (see instructions below).

Hardware and basic tools are included and assembly is required (approximately 5 minute assembly time). The Electronic Cassette Skin Care Dispenser can be fastened to the mounting plate upon alignment of pre-drilled holes and use of screws included in the stand's hardware pack.

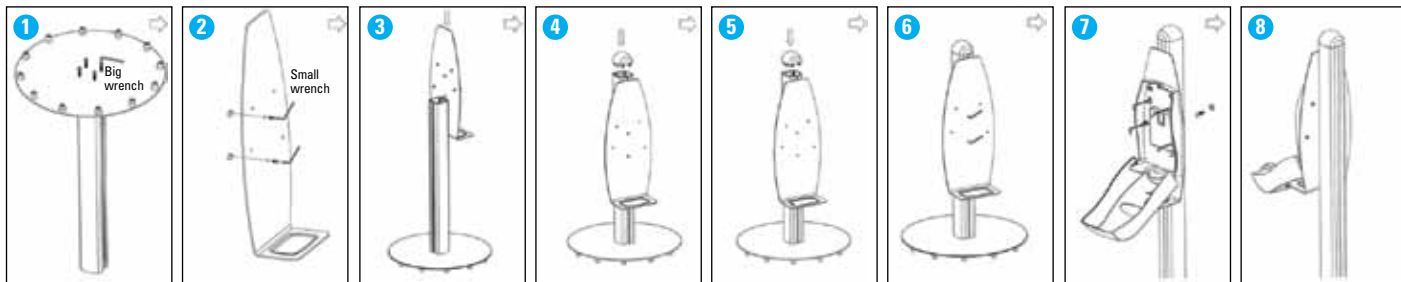
**Graphical Directions:**

Pole included will be in 3 unassembled segments.

You may assemble as follows:

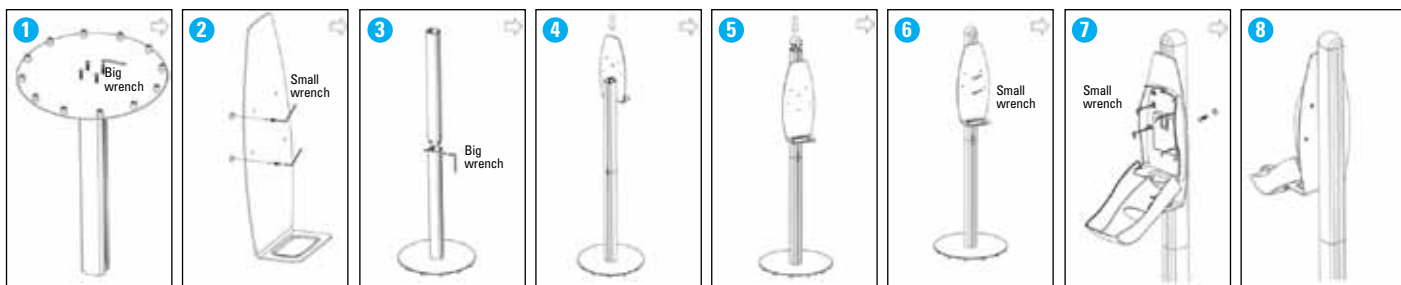


**One Pole Stand**

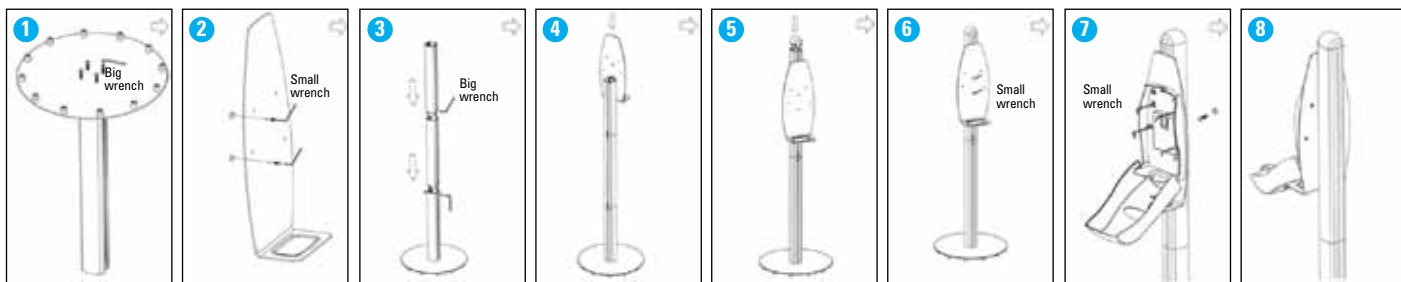


Small wrench

**Two Pole Stand**



**Three Pole Stand**



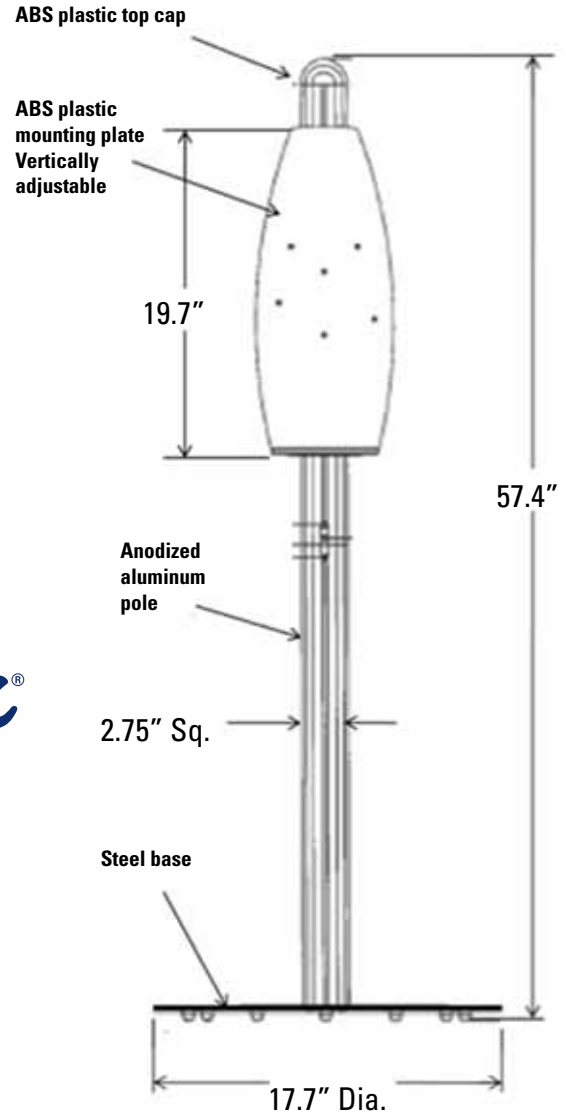
## Electronic Cassette Dispenser Floor Stand 3-Piece Pole

An Electronic Cassette Skin Care Dispenser is not included with the Floor Stand.

There is an approximate 5 minute assembly time for the Floor Stand.

### Floor Stand includes:

- Base, 3-piece pole, mounting plate
- Dispenser mounting hardware
- Pole assembly hardware
- Basic tools
- Instruction sheet



### Dispenser

Code	Description	Finish	Dimensions (W x H x D)		Case Count
11329	Electronic CASSETTE Skin Care Dispenser (1200 mL)	Brushed Metallic	7.25" x 11.48" x 4.0"	18.4cm x 29.15cm x 10.16cm	1
92147	Electronic CASSETTE Skin Care Dispenser (1200 mL)	White	7.25" x 11.48" x 4.0"	18.4cm x 29.15cm x 10.16cm	1
92148	Electronic CASSETTE Skin Care Dispenser (1200 mL)	Black	7.25" x 11.48" x 4.0"	18.4cm x 29.15cm x 10.16cm	1
11430	Electronic CASSETTE Dispenser Floor Stand*	Black	17.7" x 57.4" x 17.7"	45cm x 145.8cm x 45cm	1

\* Available February 2010

### Skin Care

Code	Description	Format	Fragrance / Color	Case Count
91590 ■	KLEENEX® Luxury Foam Moisturizing Instant Hand Sanitizer	Foam	Fruity Cucumber/Clear	2
91600	KLEENEX® Moisturizing Instant Hand Sanitizer 62% Alcohol	Liquid	Sweet Citrus/Clear	2

■ Not Available in Canada.