

HZC 390S-2

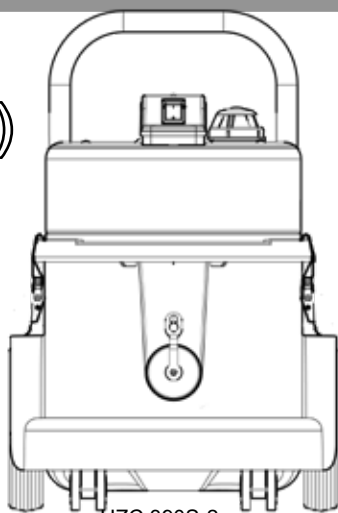
HZC 390L-2

Numatic

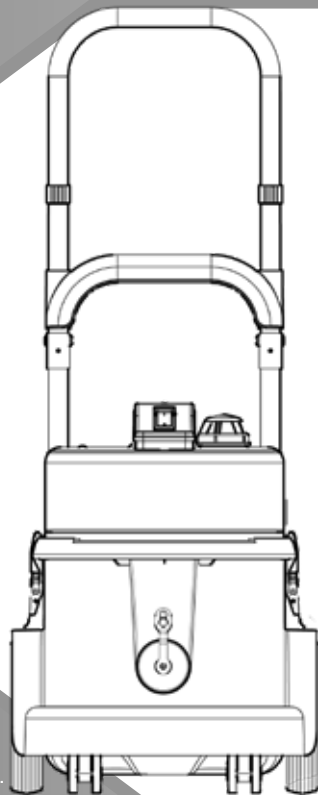
numatic.com



1000W
(Kit AA16)



HZC 390S-2



HZC 390L-2

Original Instructions

CAUTION, Read instructions before using the machine.

Übersetzung der Original-Bedienungsanleitung

VORSICHT, Vor Verwendung der Maschine bitte die Anleitung lesen.

Traduction du manuel d'utilisation d'origine

AVERTISSEMENT, Lisez la notice avant d'utiliser la machine.

Vertaling van de oorspronkelijke gebruiksaanwijzing

LET OP, Lees deze gebruiksaanwijzing voordat u de machine gebruikt.

Tradução das Instruções Originais

CUIDADO, Leia as instruções antes de usar a máquina.

Traduzione del manuale d'uso originale

ATTENZIONE, Leggere le istruzioni prima di utilizzare l'apparecchio.

Traducción del manual de uso original

PRECAUCIÓN, Lea las instrucciones antes de utilizar la máquina

Тлумаченне oryginalnej instrukcji obsługi

PRZESTROGA, Przed przystąpieniem do używania maszyny należy zapoznać się z niniejszą instrukcją.

Översättning av den ursprungliga användarhandboken

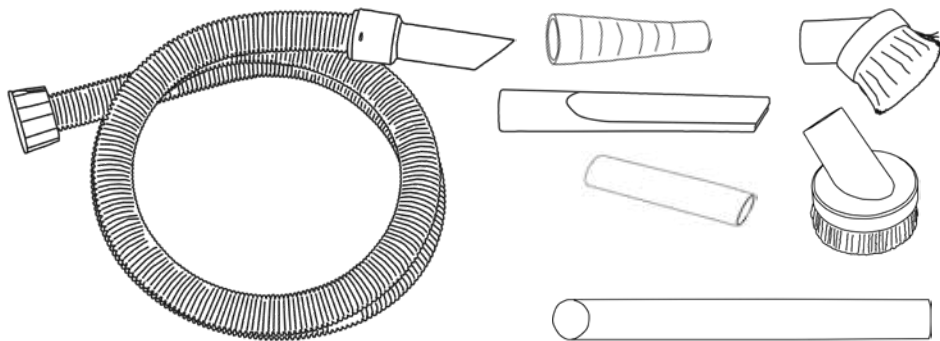
VARNING, Läs anvisningarna innan du använder maskinen.

Alkuperäisen käyttöohjeen käännös

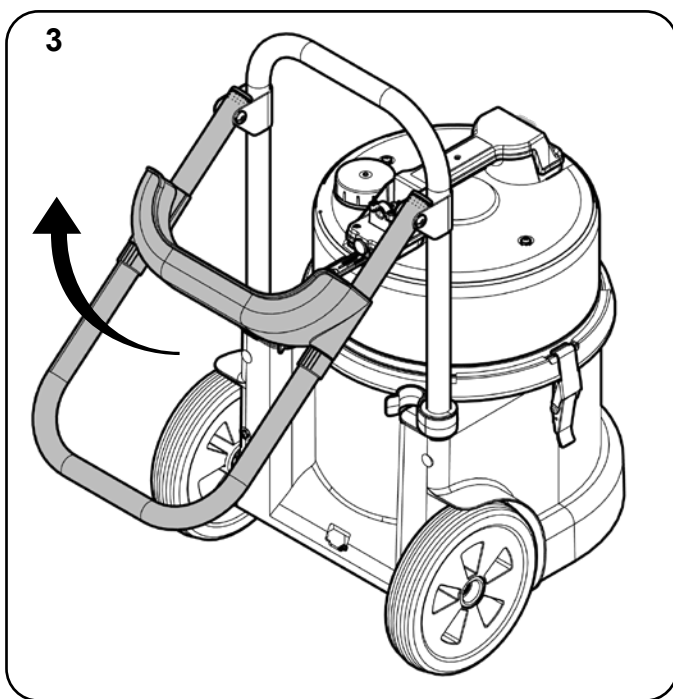
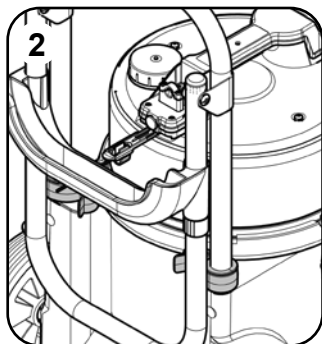
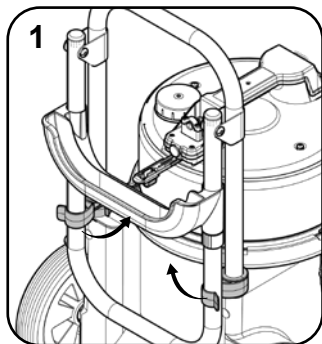
HUOMIO, Lue ohjeet ennen koneen käyttöä.

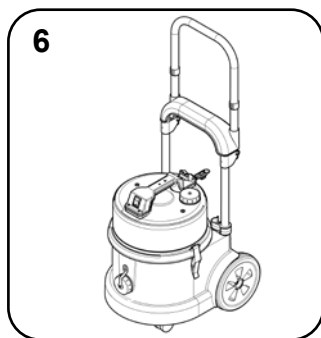
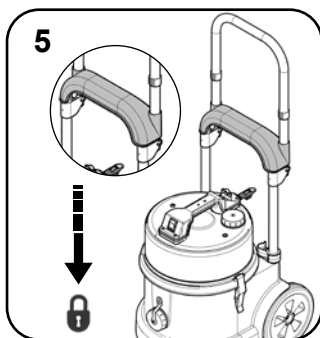
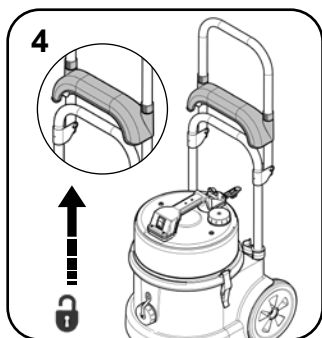
Original vejledning

Advarsel! Læs vejledningen inden brug af maskinen

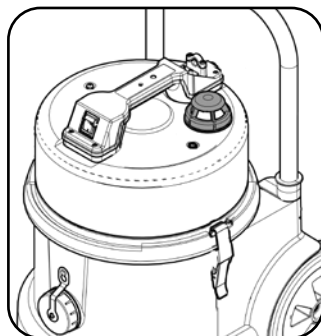
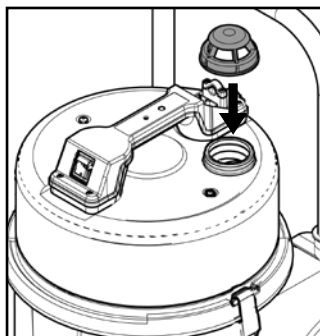
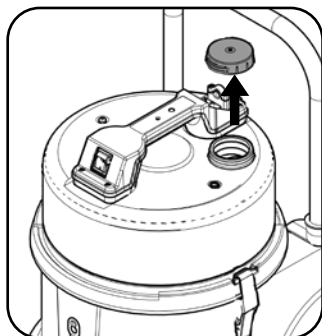


Assembly, Zusammenbau, Assemblage, Samenstellung,
 Conjunto, Montaggio, Ensamblaje, Montaż

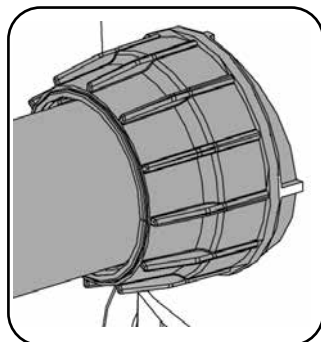
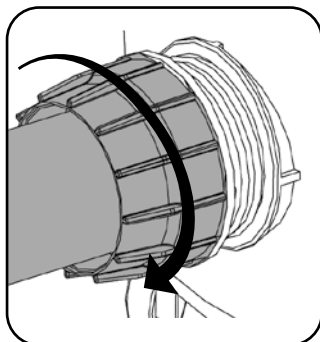
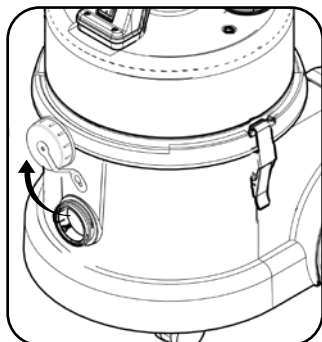




Air Diffuser, Luftverteiler, Diffuseur d'air, Luchtrooster,
Difusor de ar, Diffusore aria, Difusor de aire, Dyfuzor powietrza



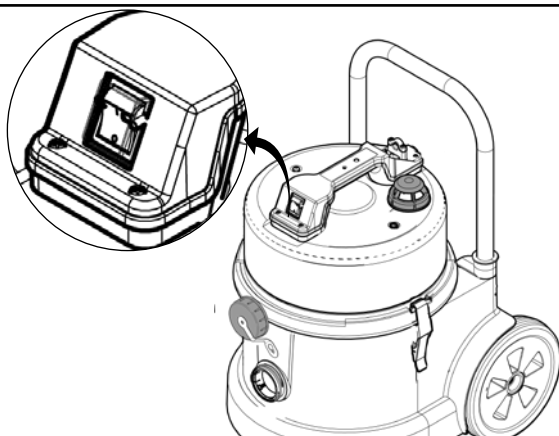
Hose, Schlauch, Tuyau, Slang, Mangueira, Flessibile, Tubo, Wąż



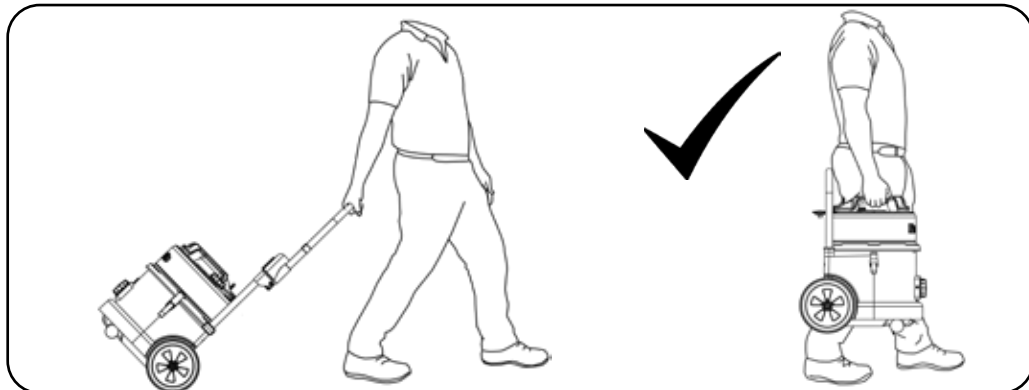
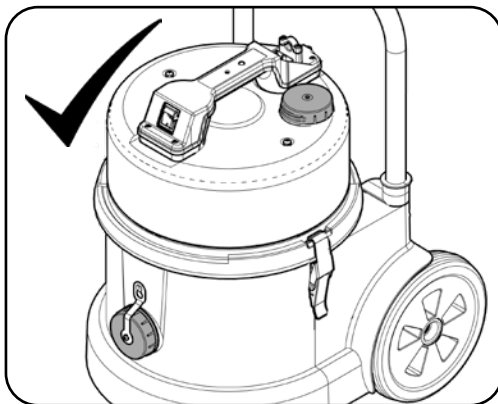
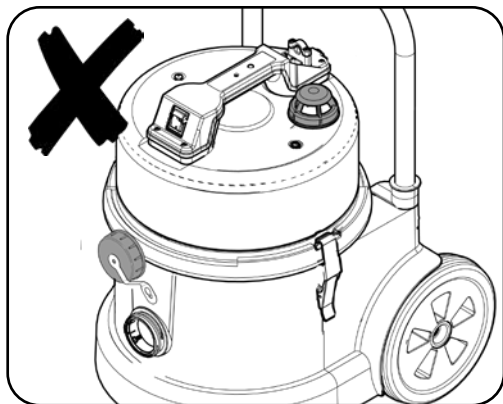
Using your machine, Arbeiten mit dem Gerät, Utilisation de la machine, De machine gebruik-
en, Utilização da máquina, Uso dell'apparecchio, Utilización de la máquina, Działanie maszyny

1
0

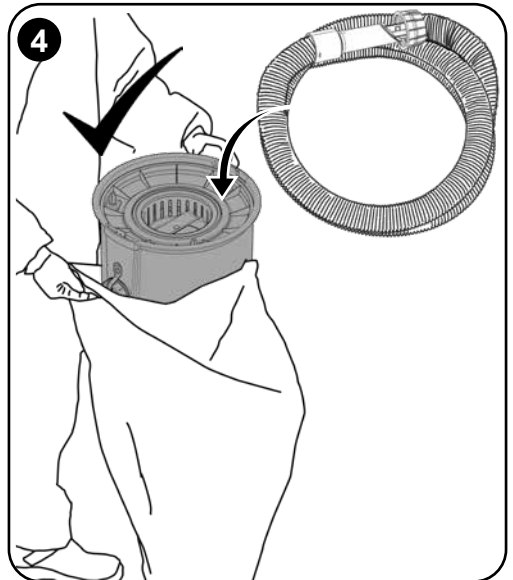
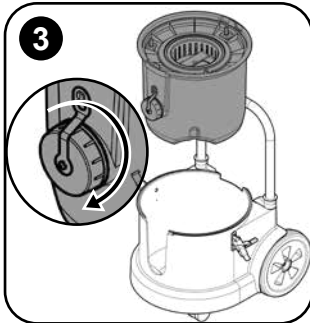
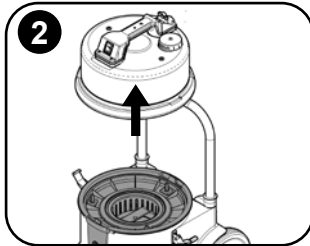
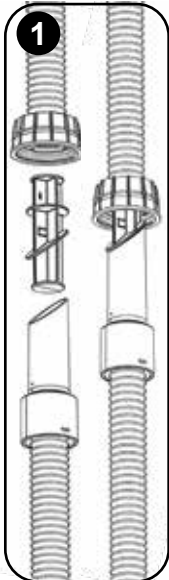
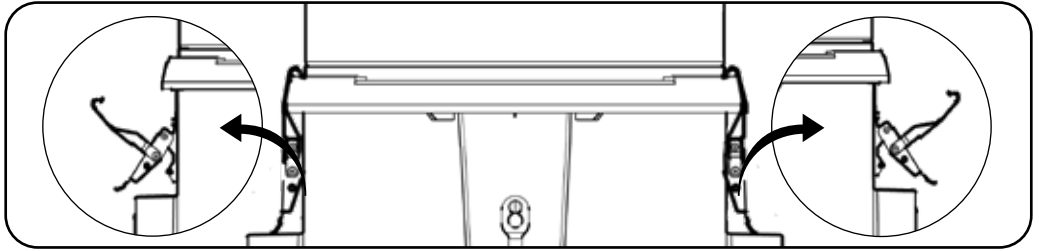
Start
Netzschalter
Démarrage
Start
Ligar
Avvio
Encender
Otwarty



Moving your Machine, Bewegen der Maschine, Déplacement de votre machine,
Verplaatsen van uw machine, Deslocar a máquina, Spostamento dell'apparecchio,
Desplazamiento de la máquina, Transport maszyny



Replacing the Cartridge Filter, Austauschen des Filterelements, Remplacement de la cartouche filtrante, Vervangen van het patroonfilter, Substituir o filtro de cartucho, Sostituzione della cartuccia filtrante, Cambio del filtro de cartucho, Wymiana wkładu filtracyjnego



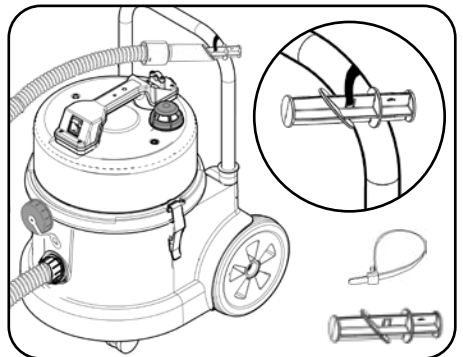
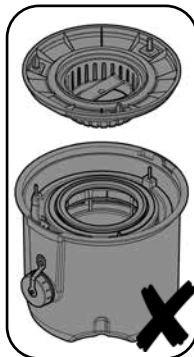
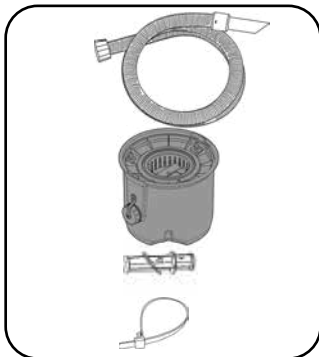
1. Seal contaminated hose using bung supplied.

2/3. Remove the sealed H Class Filter Unit from the drum.

4. Place the Filter Unit and Hose Assembly inside an impervious plastic bag and seal the bag.

Dispose of the plastic bag, depending on contamination, in an appropriate manner.

Note* Filter unit is sealed do not attempt to open and reuse.



DE

1. Verschließen Sie den verunreinigten Schlauch mit dem mitgelieferten Stopfen.
- 2/3. Entfernen Sie das H-Class-Filterelement aus der Trommel.
4. Legen Sie die Einheit aus Filterelement und Schlauch in einen dichten Plastikbeutel und verschließen Sie diesen.

Entsorgen Sie den Plastikbeutel je nach Verschmutzung auf angemessene Weise.

Hinweis:* Das Filterelement ist versiegelt. Versuchen Sie nicht, es zu öffnen und wiederzuverwenden.

FR

1. Scellez le tuyau contaminé à l'aide de la bonde fournie.
- 2/3. Retirez l'unité filtrante scellée de classe H de la cuve.
4. Placez l'ensemble tuyau-unité filtrante à l'intérieur d'un sac en plastique étanche et scellez ce dernier.

Jetez le sac en plastique d'une façon appropriée selon la contamination.

Remarque* L'unité filtrante est scellée ; n'essayez pas de l'ouvrir et de la réutiliser.

NL

1. Sluit de gecontamineerde slang af met de meegeleverde afsluiter.
- 2/3. Verwijder het afgesloten H-klasse filter (A) uit de stofbak.
4. Doe de filtereenheid en de slang in een ondoorlatende plastic zak en maak de zak dicht.

Voer de plastic zak op een geschikte wijze af, afhankelijk van de aard van de verontreiniging.

Opmerking* De filtereenheid is afgesloten. Probeer niet om deze te openen en opnieuw te gebruiken.

PT

1. Sele o tubo contaminado com o tampão fornecido.
- 2/3. Remova a unidade de filtro classe H selada do tambor.
4. Coloque a unidade de filtro e o conjunto de tubos dentro de um saco de plástico impermeável e sele o saco.

Elimine o saco de plástico, consoante a contaminação, de forma adequada.

Nota* A unidade de filtro é selada. Não tente abrir e reutilizar.

IT

1. Sigillare il flessibile contaminato utilizzando il tappo fornito.
- 2/3. Rimuovere l'unità filtrante di classe H sigillata dal tamburo.
4. Mettere l'unità filtrante e il gruppo flessibile all'interno di un sacco di plastica resistente e sigillarlo.

Smaltire il sacco di plastica in modo appropriato a seconda del livello di contaminazione.

Nota* L'unità filtrante è sigillata, non provare ad aprirla e riutilizzarla.

ES

1. Cierre el tubo contaminado con el obturador provisto.
 - 2/3. Extraiga el filtro clase H sellado del cilindro.
 4. Coloque el filtro y el tubo en una bolsa de plástico impermeable y selle la bolsa.
- Deseche la bolsa de plástico como proceda según los contaminantes que contenga.

Nota* El filtro está sellado; no intente abrirlo y volver a utilizarlo.

PL

1. Zamknąć zanieczyszczony wąż przy użyciu dostarczonego korka.
- 2/3. Należy zdjąć uszczelniony zespół filtra klasy H z bębna.
4. Zespół filtra i zespół węża należy umieścić wewnątrz nieprzepuszczalnego worka tworzywowego, a następnie worek ten należy zamknąć.

Worek z tworzywa należy zutylizować w odpowiedni sposób w zależności od stopnia zanieczyszczenia.

Uwaga* Zespół filtra jest zamknięty, nie należy podejmować prób jego otwarcia i ponownego użycia.

Low Flow Warning Light, Warnleuchte Niedriger Durchsatz,
Voyant d'avertissement de faible débit, Waarschuwinglampje verminderde zuigkracht,
Luz de aviso de flujo reducido, Spia di segnalazione flusso basso, Luz de aviso de caudal bajo,
Lampka ostrzegawcza niskiego przepływu

Lo - Flo Indicator.

Slow Repeated Flash.

EN

The vacuum cleaner is fitted with a warning lamp that will illuminate and flash when the air speed in the suction hose falls below 20m/s.

This indicates that the filter cartridge requires changing.

Anzeige Niedriger Durchsatz

DE

Langsames, wiederholtes Blinken.

Der Staubsauger ist mit einer Warnleuchte ausgestattet, die aufleuchtet bzw. blinkt, wenn die Luftgeschwindigkeit im Saugschlauch unter 20 m/s sinkt.

Dies zeigt an, dass die Filterkartusche gewechselt werden muss.

Indicateur de faible débit.

FR

Clignotement lent et répété.

L'aspirateur est équipé d'un voyant d'avertissement qui s'allume et clignote lorsque la vitesse de l'air dans le tuyau d'aspiration descend au-dessous de 20 m/s .

Ceci indique qu'il est nécessaire de remplacer la cartouche filtrante.

Indicator verminderde zuigkracht.

NL

Langzaam knipperlicht.

De stofzuiger is voorzien van een waarschuwinglampje dat zal gaan knipperen als de luchtsnelheid in de zuigslang onder 20 m/s daalt.

Dit geeft aan dat de filterpatroon vervangen dient te worden.

Indicador de fluxo reduzido.

PT

Luz com lenta intermitência.

O aspirador possui uma lâmpada de advertência que acende e fica intermitente sempre que a velocidade do ar no tubo de aspiração desce abaixo de 20 m/s .

Tal indica que é necessário mudar o cartucho do filtro.

Indicatore flusso basso

IT

Lampeggiamento ripetuto lento.

L'aspirapolvere è dotato di una spia di segnalazione che si accende e lampeggia quando la velocità dell'aria nel flessibile di aspirazione scende al di sotto dei 20 m/s .

Ciò indica che la cartuccia filtrante deve essere sostituita.

Testigo de caudal bajo

ES

Parpadeo lento

La aspiradora tiene una luz de aviso que se enciende y parpadea cuando la velocidad del aire en el tubo de aspiración baja a menos de 20 m/s .

Esto indica que hay que cambiar el cartucho filtrante.

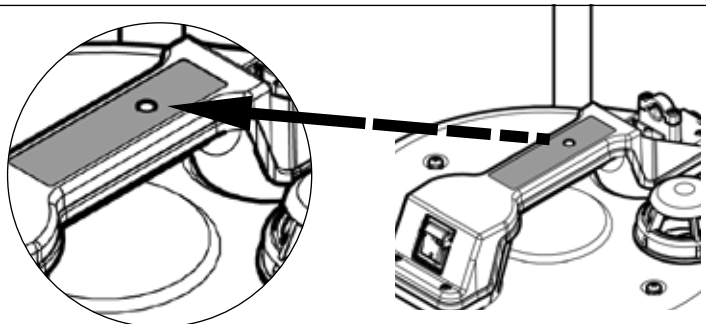
Wskaźnik niskiego przepływu.

PL

Powolne powtórne miganie.

Odkurzacznik jest wyposażony w lampkę ostrzegawczą, która zapali się i będzie migać, gdy prędkość powietrza w wężyku ssącym spadnie poniżej 20 m/s .

Wskażuje to na konieczność wymiany wkładu filtracyjnego.



Cause	Solution	EN
Suction hose blocked or kinked.	Remove blockage or kink.	
Filter clogged or blocked.	Replace filter cartridge.	

Ursache	Abhilfe	DE
Saugschlauch blockiert oder geknickt.	Blockierung oder Knick beseitigen.	
Filter verstopft oder blockiert.	Filterkartusche ersetzen.	

Cause	Solution	FR
Tuyau d'aspiration bouché ou coudé.	Supprimer le bouchage ou le coude.	
Filtre encrassé ou obstrué.	Remplacer la cartouche filtrante.	

Oorzaak	Oplossing	NL
Zuigslang is verstopt of geknickt.	Ontstop de zuigslang of verwijder de knik.	
Filter is verstopt.	Vervang de filterpatroon	

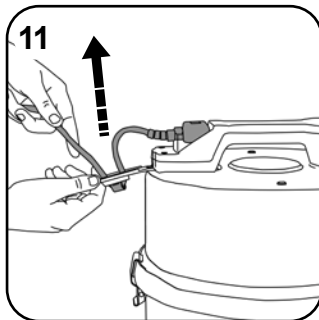
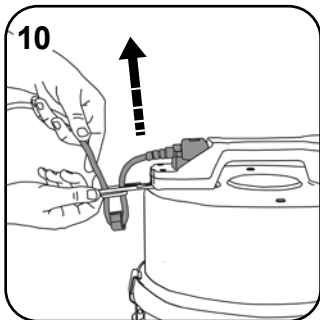
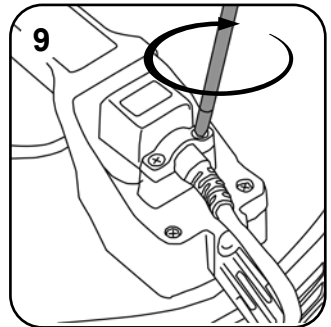
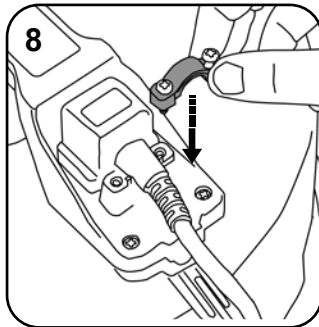
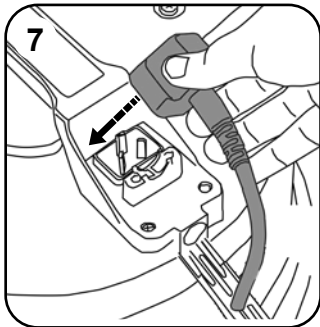
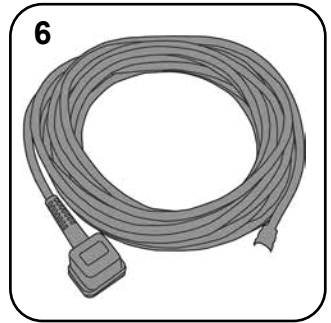
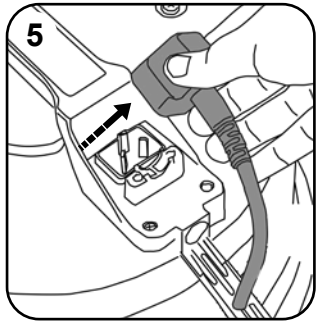
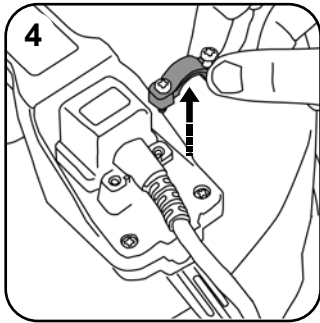
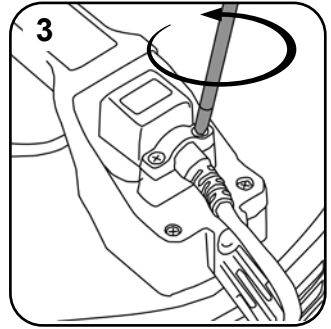
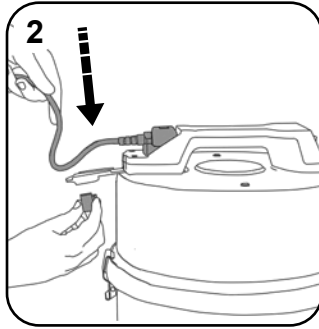
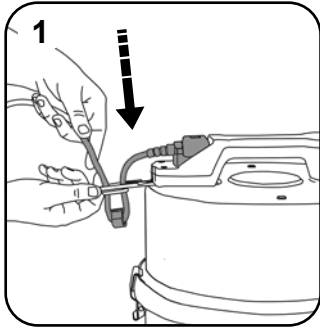
Causa	Solução	PT
Tubo de aspiração bloqueado ou dobrado.	Remove o bloqueio ou a dobragem.	
Filtro entupido ou obstruído.	Substitua o cartucho do filtro.	

Causa	Soluzione	IT
Flessibile di aspirazione ostruito o attorcigliato.	Rimuovere l'ostruzione o l'attorcigliamento.	
Filtro intasato o ostruito.	Sostituire la cartuccia filtrante.	

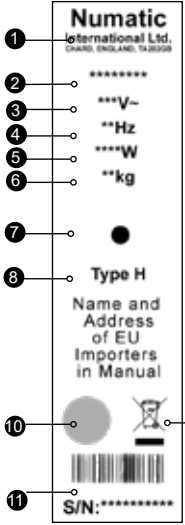
Causa	Solución	ES
Tubo de aspiración obstruido o doblado	Eliminar la obstrucción o doblez.	
Filtro total o parcialmente obstruido	Sustituir el cartucho filtrante.	

Przyczyna	Rozwiązanie	PL
Zablokowany lub zagięty wąż ssący.	Usunąć blokadę lub wyprostować wąż.	
Wkład filtracyjny jest zatkany lub zablokowany.	Wymienić wkład filtracyjny.	

Changing / Replacing Cable, Auswechseln des Kabels, Changement/remplacement du câble,
Vervangen van de kabel, Mudar/substituir cabo, Cambio/sostituzione del cavo, Cambio del cable,
Zmiana / Wymiana kabla



(EN) About your machine



Rating Label

1	Company Name & Address
2	Model
3	Voltage / Alternating Current
4	Frequency
5	Rated Input Power
6	Weight
7	Low Flow Indicator *(If applicable)
8	Type Hazardous
9	WEEE Logo
10	Approval Mark
11	Machine yr/wk Serial Number

Daily

Keep the machine clean, including hoses and tubes. Ensure the bag and filter are fitted. Regularly examine the power cord. Check dust bag frequently. Check filters are clean.

Weekly - as daily and:-

Check for any worn or damaged parts and replace immediately.

Maintenance

WEEE Legislation (Waste, Electrical and Electronic Equipment)
 Vacuum cleaner, accessories and packaging should be sorted for environmentally - friendly recycling.
(Only for UK/EU Countries)
 Do not dispose of vacuum cleaner into household waste! According to the European Directive 2012/19/EU on waste electrical and electronic equipment and its incorporation into national law. Vacuum cleaners that are no longer suitable for use must be separately collected and sent for recovery in an environmentally - friendly manner.



PPE (personal protective equipment). That may be required for certain operations.				
Ear Protection	Safety Footwear	Head Protection	Safety Gloves	
Eye Protection	Protective Clothing	Dust / Allergens Protection	Hi Viz Jacket	

NOTE: A risk assessment should be conducted to determine which PPE should be worn.

Safety Critical Components

Mains leads: H05VV-F 10 m x 3 Core x 1.0 mm²

WARNING

Read the instruction manual before using the machine.
Operators shall be adequately instructed on the use of these machines.

As with all electrical equipment, care and attention must be exercised at all times during use, in addition to ensuring that routine and preventative maintenance is carried out periodically to ensure safe operation.

Failure to carry out maintenance as necessary, including the replacement of parts to the correct standard could render this equipment unsafe and the manufacturer can accept no responsibility in this respect.

This machine is for DRY USE only and must not be stored outside or used in wet conditions.
The machine shall be disconnected from the mains by removing the plug from the supply socket during cleaning or maintenance and when replacing parts or converting the machine to another function.

This machine is not to be used by children or persons with reduced physical, sensory or mental capabilities, or lack of experience or knowledge.

Children should be supervised to ensure they do not play with the machine
This machine is not a toy.

Ensure that the filtration system fitted to the machine is suitable for the material being collected.

CAUTION

This machine is for use indoors only.
This machine should be stored indoors only.

NOTES

This product complies with the requirements of clause 20 of IEC/EN 60335-2-69 Stability and Mechanical Hazards.

This machine is intended for commercial use, for example in hotels, schools, hospitals, factories, shops, rental businesses and offices for other than normal housekeeping purposes.

DO

- Keep your machine clean.
- Keep hoses and tubes clear.
- Replace any worn or damaged parts immediately.
- Regularly examine the power cord. If damage is found such as cracking or ageing the power cord must be replaced by a qualified person using the correct Numatic original part.
- Change 908082 H Class Filter Unit with the correct Numatic approved replacement part.
- Only use the brushes provided with the machine. The use of other brushes may impair safety.
- Only replace the power cord with the correct Numatic approved replacement part.

DO NOT

- Unreel the cable with one pull or pull on the cable to unplug the machine from the power supply.
- Use to suck up hot ashes or lighted cigarette ends.
- Use steam cleaners or pressure washers to clean the machine or use in the rain.
- Immerse in water for cleaning.
- Attempt machine maintenance or cleaning unless the power supply plug has been removed from the supply outlet.
- Under any circumstances place foreign objects including (but not limited to) air fresheners, air freshener capsules or scented beads of any type into the top filter of the machine. Doing so can be dangerous and risk damage to the machine and may invalidate the machine warranty.

IMPORTANT USER INFORMATION

Before use operators shall be provided with information, instruction and training for the use of the machine and the substances for which it is to be used, including the safe method of disposing of material collected.

The cartridge filter has to be replaced when necessary.

This vacuum cleaner has a lamp that illuminates when air velocity drops below a preset level, which indicates that the cartridge filter must be changed.

This machine is not suitable for connection with dust generating machines.

The cartridge filter must be undamaged and in correct position before this machine can be used safely.

WARNING:

1. This machine must only be operated by suitably trained and authorised personnel.
2. This machine or its accessories must not be modified.
3. The machine must not be stored or used in a wet environment.
4. Do not allow the cartridge filter to become so full as to reduce the effective pick-up of the vacuum. (Lamp will illuminate at preset air velocity levels < 20 m/s).
5. This machine must only be repaired by suitably trained and authorised personnel.
6. Only use genuine Numatic International Ltd spare parts, for repairs.
7. This machine must not be installed as a fixed extraction system or run unattended.
8. Do not re-use the essential filter element after removal out of the machine.

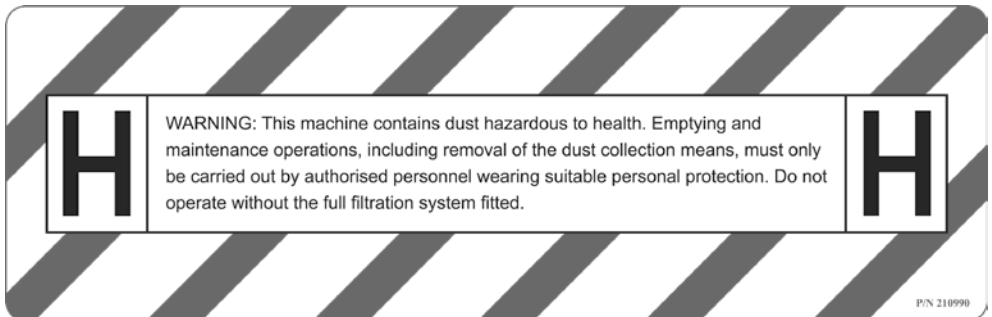
Operators should observe any safety regulations appropriate to materials being handled.

This machine is for dry use only.

PREPARATION FOR USE

Unpack and identify each item of equipment from the delivery note.

Check that the details given match the information on the "rating plate" mounted on the head assembly.



Installation / Removal / Disposal of the cartridge filter.

The cartridge filter holding the dust and debris must be removed and renewed by authorised personnel only, wearing appropriate personnel protective equipment, in a specified de-contamination area.

Never operate without the full filtration system in place.

Process of disposal:

Disconnect the hose, fit the Dust Cap on the Hose Flange, un-clip the two Toggle Clamps.

Remove the cartridge filter from the Drum. Place the cartridge filter inside an impervious plastic bag and seal the bag.

Dispose of the plastic bag, depending on contamination, in an appropriate manner.

MAINTENANCE

All machine parts should be regarded as contaminated when removed from the hazardous area and appropriate action taken to prevent dust dispersal.

Disconnect from the power supply during cleaning, maintenance or when replacing parts.

Ensure the plug is removed from the socket outlet.

Maintenance must be carried out in a suitable non hazardous area with facilities for cleaning the area after servicing, and with suitable ventilation.

Maintenance and cleaning work must always be carried out by competent authorised personnel equipped with suitable personal protection.

The cartridge filter must be taken out and checked for degree of contamination, and damage to seals.

If the cartridge filter is found to be damaged or badly contaminated, you must replace.

Items that can not be satisfactorily cleaned (e.g. filter) need to be disposed of in an impervious plastic bag and disposed of in accordance with current regulations.

Replace the items that cannot be satisfactorily cleaned using approved manufacturer parts.

Regularly examine the supply cord for damage, such as cracking or ageing. If damage is found, replace the cord before further use.

All parts of this vacuum are safety critical only replace with the genuine Numatic spare parts.

For user servicing, the machine must be dismantled, cleaned and serviced, as far as is reasonably practicable, without causing risk to maintenance staff and others.

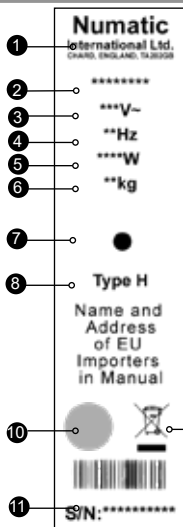
Suitable precautions include decontamination before dismantling, provision for local filtered exhaust ventilation where the machine is dismantled, cleaning of the maintenance area and suitable personal protection.

In class H machines the outside of the machine should be decontaminated by vacuum cleaning methods and wiped clean or treated with a sealant before being taken out of the hazardous area and appropriate action taken to prevent dust dispersal. (HSE Risk Assessment needed).

A qualified person must perform at least once a year - or more frequently if national requirements dictate - the filtering efficiency of the filter cartridge must be checked, or the filter cartridge must be replaced, a filter inspection to look for signs of damage, checking the tightness of the machine and correct operation of the control mechanism.

Also the filtration efficiency should be tested at least annually, or more frequently as specified in national requirements.

The test methods that can be used to verify the machine's filter efficiency are specified in EN 60335-2-69 Annex AA (AA22.201.2). If the test fails it should be repeated with a new cartridge filter.



Produktplakette

1	Name und Adresse Unternehmen
2	Gerätebeschreibung
3	Spannung / Wechselstrom
4	Frequenz
5	Leistung
6	(Nutz-) Gewicht
7	Luftstromanzeige *(falls vorhanden)
8	Gefahrenklasse
9	WEEE Logo
10	Zulassungszeichen
11	Gerät Jahr/Woche Seriennummer

(DE) Angaben zum Gerät

Täglich
Halten sie das Gerät sauber, inklusive Schlauch und Rohren. Arbeiten Sie mit dem Gerät nur mit eingesetztem Filterbeutel und Motorschutzfilter.
Prüfen Sie, ob die Zuleitung Schäden aufweist. Überprüfen Sie regelmäßig den Füllstand des Filterbeutels und wechseln Sie ihn bei Bedarf. Überprüfen Sie regelmäßig, ob der Motorschutzfilter sauber ist und reinigen Sie ihn bei Bedarf.

Wöchentlich – wie täglich und:-
Überprüfen Sie das Gerät nach abgenutzten oder beschädigten Teilen und ersetzen Sie diese umgehend.

WARTUNG

WEEE-Richtlinie

Staubsauger, Zubehör und Verpackung müssen getrennt entsorgt werden, um ein umweltfreundliches Recycling zu ermöglichen.



(Für EU-Länder gilt)

Entsorgen Sie Staubsauger nicht im Hausmüll! - gemäß EU-Richtlinie 2012/19/EU über die Entsorgung von Elektro- und Elektronikgeräten sowie deren Umsetzung in nationales Recht.

Staubsauger, die nicht mehr verwendet werden können, sind getrennt zu sammeln und zur umweltfreundlichen Entsorgung abzugeben.

In Deutschland sind das i.d.R. Sammelstellen beim örtlichen Entsorger.

PSA (Persönliche Schutzausrüstung) kann für bestimmte Verwendung des Geräts erforderlich sein

Ohrschutz	Sicherheitsschuhe	Kopfschutz	Sicherheitshandschuhe	
				Hinweisschild „Achtung Rutschgefahr“
Augenschutz	Schutzkleidung	Staub-Allergieschutz	Warnjacke	

Hinweis:

Eine Risikoauswertung ist vom Betreiber des Gerätes anhand der örtlichen Gegebenheiten vorzunehmen, um die erforderliche Schutzausrüstung festzulegen.

Sicherheitsrelevante Bestandteile

Stromversorgung:

H05VV-F 10 m x 3 Core x 1.0 mm²

WARNUNG

Lesen Sie unbedingt die Anleitung vor Inbetriebnahme des Geräts sorgfältig durch.

Benutzer müssen gründlich in den Gebrauch dieser Geräte eingewiesen werden. Wie bei allen elektrischen Geräten ist während der Benutzung jederzeit Vorsicht und Aufmerksamkeit geboten. Darüber hinaus muss zur Gewährleistung eines sicheren Betriebs in regelmäßigen Abständen eine laufende und vorbeugende Wartung durchgeführt werden.

Bei Unterlassung notwendiger Wartungsarbeiten, einschließlich der Reinigung des Gerätes, des Ersetzens von fehlerhaften Teilen durch korrekte Standardteile, kann die Sicherheit des Geräts beeinträchtigt werden, und der Hersteller kann in dieser Hinsicht keine Verantwortung oder Haftung übernehmen.

Das Gerät ist ausschließlich als TROCKENSAUGER zu verwenden.

Bei Reinigung und Wartung, beim Ersetzen von Teilen müssen Sie das Gerät durch Ziehen des Netzsteckers von der Stromversorgung trennen.

Zusammenbau, Reinigung und Wartung für dieses Gerät sind von einer erwachsenen Person vorzunehmen.

Dieses Gerät ist nicht für die Aufnahme von biologischen Gefahrenstoffen und gefährlichem oder explosivem Staub geeignet.

Wenden Sie sich an Ihren Händler vor Ort, wenn Sie ein Gerät benötigen, das für solche Aufgaben geeignet ist.

Dieses Gerät ist kein Spielzeug und darf von Kindern nicht benutzt werden.

Dieses Gerät darf nicht von Kindern oder Personen mit eingeschränkten physischen, sensorischen oder mentalen Fähigkeiten bzw. mangelnden Erfahrungen oder Kenntnissen betrieben werden.

Es muss sichergestellt werden, dass das Netzkabel die Rotationsbürsten (falls vorhanden) nicht berührt.

VORSICHT

Das Gerät darf nicht im Freien gelagert bzw. in einer feuchten Umgebung oder zur Aufnahme feuchter Materialien verwendet werden. Der Staubsauger muss an einem trockenen Platz abgestellt werden.

Er ist nur für den Einsatz im Innenbereich ausgelegt.

Es ist darauf zu achten, dass das im Gerät verwendete Filtersystem für das aufgenommene Material geeignet ist.

HINWEIS

Neben der Verwendung in privaten Haushalten ist diese Maschine für den gewerblichen Einsatz, beispielsweise in Hotels, Schulen, Krankenhäusern, Fabriken, Läden und Büros, geeignet.

Wenn der Staubsauger aufhört zu saugen, ziehen Sie zunächst den Netzstecker, bevor Sie untersuchen, worin der Fehler liegt.

Wenn der Staubsauger blockiert ist, schalten Sie ihn aus, ziehen Sie den Netzstecker aus der Steckdose und stellen Sie fest, ob die Saugdüse, das Saugrohr oder der Schlauch verstopft ist. Wenn Saugdüse, Saugrohr und Schlauch frei sind, ersetzen Sie den Staubbeutel, und reinigen Sie den Filter.

Der Staubsauger ist vor jedem Gebrauch auf Beschädigungen zu überprüfen, einschließlich der Zuleitung.

Die Netzkontrollanzeige leuchtet, wenn das Gerät an eine geeignete Stromversorgung angeschlossen ist.

WAS ZU BEACHTEN IST

- Halten Sie das Gerät sauber.
- Halten Sie die Filter sauber.
- Verwenden Sie Filterbeutel. Sie verbessern die Leistung und helfen, das Gerät sauber zu halten.
- Verwenden Sie bei Feinstaubersatz originale Numatic-Filterbeutel.
- Halten Sie Schläuche und Rohre sauber.
- Ersetzen Sie abgenutzte oder beschädigte Teile unverzüglich.
- Untersuchen Sie regelmäßig das Netzkabel. Wenn Sie eine Beschädigung feststellen, wie z. B. einen Bruch oder alterungserscheinungen, muss das Netzkabel von einer dazu qualifizierten Person und unter Verwendung des korrekten Numatic-Originalteils ausgetauscht werden.
- Wechseln Sie den Filterbeutel regelmäßig.
- Verwenden Sie nur Zubehörteile, die im Lieferumfang des Geräts enthalten sind. Durch die Verwendung anderer Zubehörteile kann die Sicherheit beeinträchtigt werden.

WAS ZU UNTERLASSEN IST

- Zum Abrollen oder Trennen der Zuleitung von der Steckdose nicht am Kabel ziehen.
- Saugen Sie weder heiße Asche noch glimmende Zigarettenstummel oder brennbare Gase auf.
- Verwenden Sie keine Dampfreiniger oder Hochdruckreiniger zum Reinigen des Geräts, und tauchen Sie es niemals in Wasser ein.
- Führen Sie keine Wartungs- oder Reinigungsarbeiten am Gerät durch, wenn der Netzstecker noch in der Steckdose steckt.
- Verwenden Sie das Gerät nicht in feuchten Umgebungen bzw. zur Aufnahme feuchter Materialien.
- Lagern Sie das Gerät nicht in einer feuchten Umgebung.
- Legen Sie unter keinen Umständen Fremdkörper wie beispielsweise Luffterfrischer, Duftkapseln oder Duftperlen in den oberen Filter des Geräts. Dies kann gefährlich sein und einerseits Schäden am Gerät verursachen und andererseits dazu führen, dass die Gerätegarantie erlischt.

WICHTIGE BENUTZERINFORMATIONEN

Der Benutzer muss vor der Benutzung über die Verwendung des Geräts und über die aufnehmbaren Stoffe informiert, angewiesen und geschult werden, einschließlich der sicheren Entsorgung des aufgenommenen Materials.

Der Kartuschenfilter ist bei Bedarf zu ersetzen.

Dieser Staubsauger verfügt über eine Lampe, die aufleuchtet und den erforderlichen Wechsel des Kartuschenfilters anzeigt, wenn die Luftgeschwindigkeit unter einen voreingestellten Wert fällt.

Dieses Gerät eignet sich nicht für den Anschluss an Staub erzeugende Maschinen.

Der Kartuschenfilter muss unbeschädigt und vor Inbetriebnahme der Maschine richtig positioniert sein.

WARNUNG:

1. Dieses Gerät darf nur durch entsprechend geschulte und befugte Mitarbeiter verwendet werden.
2. Am Gerät und an seinem Zubehör dürfen keine Änderungen vorgenommen werden.
3. Das Gerät darf nicht in einer feuchten Umgebung gelagert oder verwendet werden.
4. Der Kartuschenfilter darf nicht überfüllt werden, damit der erfolgreiche Reinigungsvorgang immer gewährleistet ist. (Die Lampe leuchtet bei einer voreingestellten Luftgeschwindigkeit von < 20 m/s auf.)
5. Diese Gerät darf nur durch entsprechend geschulte und befugte Mitarbeiter repariert werden.
6. Verwenden Sie für Reparaturen nur Original-Ersatzteile von Numatic International Ltd.
7. Dieses Gerät darf nicht als fest installiertes Absaugsystem oder unbeaufsichtigt betrieben werden.
8. Verwenden Sie keinesfalls das Hauptfilterelement wieder, nachdem es aus der Maschine entfernt wurde.

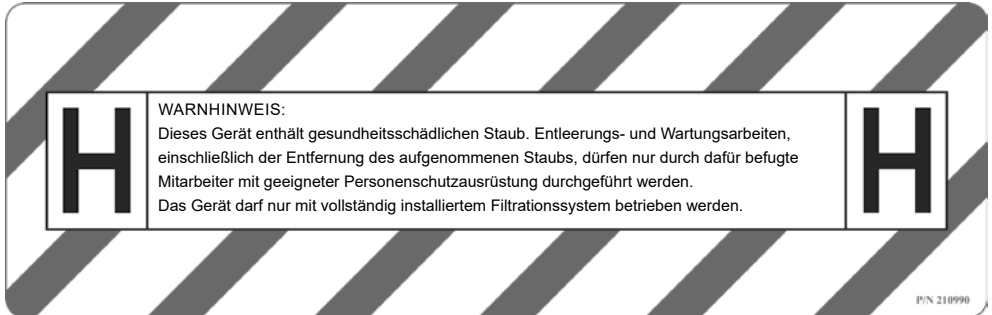
Die Benutzer müssen bezüglich der aufgenommenen Materialien alle Sicherheitsbestimmungen beachten.

Dieses Gerät ist ausschließlich als Trockensauger zu verwenden.

VORBEREITUNG AUF DIE VERWENDUNG

Packen Sie alle Teile aus und vergleichen Sie diese mit dem Lieferschein.

Vergewissern Sie sich, dass die angegebenen Daten den Angaben auf dem Typenschild der Baugruppe entsprechen.



Einlegen/Entfernen/Entsorgen des Kartuschenfilters.

Ein mit Staub und Ablagerungen angefülltes Kartuschenfilters darf nur von geschultem Personal mit entsprechender Schutzkleidung in einem Dekontaminierungsbereich entfernt bzw. ersetzt werden.

Das Gerät darf nicht ohne vollständig eingesetztes Filtersystem betrieben werden.

Entsorgungsverfahren:

Entfernen Sie den Schlauch und bringen Sie die Staubkappe an den Schlauchflansch an und lösen Sie die beiden Klammern.

Entfernen Sie das Filterelement aus der Trommel. Legen Sie den Kartuschenfilter in einen dichten Plastikbeutel und verschließen Sie diesen.

Entsorgen Sie den Plastikbeutel je nach Verschmutzung auf angemessene Weise.

WARTUNG

Nach der Entfernung des Geräts aus dem Gefahrenbereich müssen alle Geräteteile als verschmutzt betrachtet und entsprechende Maßnahmen zur Verhinderung der Staubverteilung getroffen werden.

Trennen Sie das Gerät während der Reinigung, Wartung oder für den Austausch von Teilen von der Stromversorgung.

Stellen Sie sicher, dass der Stecker aus der Steckdose entfernt wurde.

Wartungsarbeiten müssen in einem geeigneten, nicht gefährdeten Bereich durchgeführt werden, der über Einrichtungen für die Reinigung des Bereichs nach der Wartung und über eine geeignete Entlüftung verfügt.

Wartungs- und Reinigungsarbeiten müssen stets durch entsprechend befähigte und befugte Personen mit geeigneter Personenschutz-ausrüstung durchgeführt werden.

Der Kartuschenfilter muss entnommen und auf den Grad der Verunreinigung und Beschädigung der Versiegelung überprüft werden.

Wenn der Kartuschenfilter beschädigt oder stark verunreinigt ist, muss ein Austausch erfolgen.

Teile, die nicht zufriedenstellend gereinigt werden können (z. B. der Filter), müssen in einem dichten Plastikbeutel gemäß den aktuellen Vorschriften entsorgt werden.

Ersetzen Sie die Teile, die nicht zufriedenstellend gereinigt werden können, mit einem genehmigten Herstellerersatzteil.

Überprüfen Sie das Netzkabel regelmäßig auf Beschädigungen, wie z. B. Risse oder Abnutzungserscheinungen. Wenn Sie feststellen, dass das Kabel beschädigt ist, ersetzen Sie es, bevor Sie weiterarbeiten.

Alle Teile dieses Staubsaugers sind sicherheitskritisch und dürfen nur durch originale Numatic-Ersatzteile ausgetauscht werden.

Für die Wartung durch den Benutzer muss das Gerät, soweit angemessen durchführbar, demontiert, gereinigt und gewartet werden, ohne Wartungspersonal oder andere Personen zu gefährden.

Geeignete Sicherheitsvorkehrungen beinhalten die Dekontaminierung vor der Demontage, die Bereitstellung einer lokalen Filter-Entlüftungsanlage im Demontagebereich des Geräts, die Reinigung des Wartungsbereiches und geeignete Personenschutz-ausrüstung.

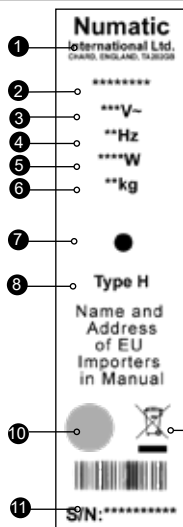
Bei Geräten der Klasse H muss die Geräteaußenseite mit einem Staubsauger dekontaminiert und dann sauber gewischt werden oder mit einem Dichtungsmittel behandelt werden, bevor das Gerät aus dem Gefahrenbereich gebracht wird. Es müssen geeignete Maßnahmen gegen die Verteilung von Staub getroffen werden. (HSE-Risikobeurteilung ist erforderlich)

Eine entsprechend befähigte Person muss mindestens jährlich eine technische Überprüfung durchführen, welche beispielsweise die Überprüfung der Filter auf Beschädigung, Luftundurchlässigkeit des Geräts und ordnungsgemäße Funktion des Steuermechanismus beinhalten muss.

Der Filterwirkungsgrad muss ebenfalls mindestens jährlich, oder häufiger entsprechend nationaler Vorschriften, überprüft werden.

Die gängigen Testmethoden zur Überprüfung der Effizienz des Gerätefilters sind in EN 60335-2-69 Anhang AA (AA22.201.2) geregelt. Wenn der Test negativ ausfällt, muss er mit einem neuen Filterelement wiederholt werden.

(FR) Sur la machine



Plaque signalétique

1	Nom et adresse du fabricant
2	Description machine
3	Tension / Courant Alternatif
4	Fréquence
5	Puissance
6	Poids brut
7	Indicateur De Débit Bas
8	Type dangereux
9	Logo-WEEE
10	Marque d'approbation
11	Numéro de série année semaine

Quotidiennement
Maintenir l'appareil ainsi que les tubes, le flexible et les accessoires propres.
S'assurer que le sac filtrant et le filtre soient bien en place.
Contrôler l'état du cordon d'alimentation en permanence.
Vérifier fréquemment l'état de remplissage du sac filtrant.
Vérifier l'état de propreté des filtres.
Toutes les semaines :-
Vérifier qu'aucune pièce ne soit usée ou endommagée, dans le cas échéant, celle-ci doit être remplacée immédiatement.

ENTRETIEN

Législation WEEE (DEEE)

Les aspirateurs, accessoires et emballages répondent aux critères de recyclage et d'environnement.

Pour CEE seulement :

Ne pas jeter l'aspirateur comme déchet ménager.

En accord avec la directive 2012/19/EU du 27 janvier 2003 sur les déchets électriques et électroniques (Directive WEEE pour Waste Electrical and Electronic Equipment) et ses applications au niveau national, les aspirateurs en fin de vie doivent être collectés et récupérés par un organisme compétent en matière de gestion environnementale des déchets.



EPI (Equipement de Protection Individuel) Recommandés pour certaines applications :

Protections sonores	Chaussures de sécurité	Casque de protection	Gants de protection	
				Panneau de signalisation au sol
Lunettes de protection	Vêtements de sécurité	Protection contre poussières / allergènes	Gilet de haute visibilité	

Note :

Une évaluation des risques devra être menée pour définir les obligations d'utilisation des EPI.

Composants de sécurité critiques

Câble d'alimentation:

H05VV-F 10 m x 3 Core x 1.0 mm²

ATTENTION

Assurez-vous d'avoir lu le manuel d'instruction avant d'utiliser l'appareil.

Les utilisateurs doivent avoir reçu une formation adaptée à l'utilisation de cet appareil. Ils doivent être vigilants et prendre en permanence les précautions relatives à l'utilisation de tout matériel sous tension. Ils devront s'assurer que la maintenance courante et préventive de l'appareil soit effectuée régulièrement pour garantir la sécurité de son utilisation.

Tout défaut d'entretien de cet appareil, ou le remplacement de pièces par des pièces autres que celles d'origine pourrait rendre l'appareil dangereux. Le constructeur ne pourra en aucun cas être tenu responsable en cas de manquement relatif à l'entretien de la machine.

Cet aspirateur est destiné à l'aspiration de poussières sèches uniquement.

Débrancher impérativement la prise d'alimentation de l'appareil avant d'entreprendre toute opération de nettoyage, de maintenance, pour le remplacement d'une pièce ou pour changer la configuration de l'appareil. Ces opérations de montage, de nettoyage et de maintenance doivent être effectuées par des personnes adultes et compétentes.

Cette machine n'est pas un jouet, elle doit être maintenue hors de portée des enfants.

Cette machine ne doit pas être utilisée par des enfants ou des personnes aux capacités physiques, sensorielles ou mentales réduites, voire qui manquent d'expérience ou de connaissances en la matière. Vous devez veiller que le cordon d'alimentation n'entre pas en contact avec un objet blessant ou coupant, ou avec les brosses rotatives (dans le cas échéant).

AVERTISSEMENT

Cet appareil ne convient pas pour être stocké et utilisé à l'extérieur, ou en environnement humide.

Il ne convient pas non plus pour aspirer des substances humides, visqueuses ou liquides.

L'aspirateur à poussières est destiné à un usage et un entreposage intérieur uniquement.

Assurez-vous que le système de filtration soit approprié pour la collecte de la poussière aspirée.

NOTA

Cet appareil est destiné à un usage commercial, par exemple pour les hôtels, écoles, hôpitaux, ateliers, surfaces de vente et bureaux.

En cas de défaut de fonctionnement de l'appareil, débrancher la prise avant d'entreprendre toute recherche de panne.

En cas de bouchage ou de baisse de l'aspiration de l'appareil, éteignez celui-ci, débranchez la prise d'alimentation, et vérifiez qu'aucune saleté n'obstrue le capteur (ou la brosse), les tubes ou le flexible de l'aspirateur, nettoyer le filtre et remplacer sac filtrant.

Contrôler le bon état de l'aspirateur après utilisation.

Après raccordement de l'appareil à une alimentation appropriée, le voyant "sous tension" s'allume.

CE QU'IL FAUT FAIRE

- Maintenir votre machine propre.
- Maintenir les filtres propres.
- Utiliser des sacs filtrants d'origine, ceux-ci garantissent les performances et l'état de propreté de votre machine.
- Surveiller la propreté du capteur, des tubes et du flexible.
- Remplacer immédiatement toute pièce usée ou endommagée.
- Examiner régulièrement l'état du cordon d'alimentation. Celui-ci devra être remplacé à la moindre détérioration, par un câble d'origine Numatic et par une personne compétente.
- Remplacer fréquemment le sac filtrant, ne pas attendre la saturation de celui-ci.
- Maintenir l'éventuel filtre de refoulement (s'il y a lieu) propre.
- N'utiliser que les brosses et accessoires d'origine. L'usage d'autres brosses peut affecter la sécurité.
-

CE QU'IL NE FAUT PAS FAIRE

- NE PAS dérouler le câble brutalement, ou débrancher la prise d'alimentation en tirant sur le câble.
- NE PAS aspirer de substances chaudes ou incandescentes, notamment des cendres ou des mégots.
- NE PAS nettoyer l'appareil à la vapeur, ni par aspersion d'eau ni par immersion.
- NE PAS entreprendre d'opération de maintenance ou de nettoyage sans avoir débranché le câble d'alimentation au préalable.
- NE PAS utiliser cet appareil en environnement humide, ou pour aspirer des substances humides.
- NE PAS entreposer en environnement humide.
- Ne jamais placer d'objets étrangers dans le filtre supérieur de la machine, notamment des assainisseurs d'air, capsules d'assainisseur d'air ou perles parfumées de toute nature. Cette pratique dangereuse risquerait d'endommager la machine et d'en annuler la garantie.

INFORMATIONS IMPORTANTES POUR L'UTILISATEUR

Avant toute utilisation, les opérateurs doivent recevoir des informations, des instructions et une formation sur l'utilisation de la machine et les substances pour lesquelles on peut l'utiliser, y compris sur la méthode à employer pour éliminer en toute sécurité les matériaux recueillis.

La cartouche filtrante doit être remplacée selon les besoins.

Cet aspirateur est muni d'un voyant qui s'allume lorsque la vitesse de l'air descend au-dessous d'un niveau prédéfini, ce qui indique que la cartouche filtrante doit être remplacée.

Cette machine ne convient pas pour un branchement sur des machines produisant des poussières. La cartouche filtrante doit être intacte et se trouver dans une position correcte avant que cet appareil puisse être utilisé en toute sécurité.

AVERTISSEMENT :

1. Cette machine ne doit être utilisée que par du personnel dûment formé et autorisé.
2. Cette machine ou ses accessoires ne doivent pas être modifiés.
3. La machine ne doit pas être entreposée ou utilisée dans un environnement humide.
4. Ne pas laisser la cartouche filtrante se remplir au point de réduire la capacité d'aspiration de l'aspirateur. (Un voyant s'allume à des niveaux prédéfinis de vitesse de l'air < 20 m/s).
5. Cette machine ne doit être réparée que par du personnel dûment formé et autorisé.
6. N'utiliser que des pièces Numatic International Ltd d'origine pour les réparations.
7. Cette machine ne doit pas être installée comme système d'extraction fixe ni être laissée sans surveillance pendant son fonctionnement.
8. Ne pas réutiliser l'élément filtrant essentiel après son retrait de la machine.

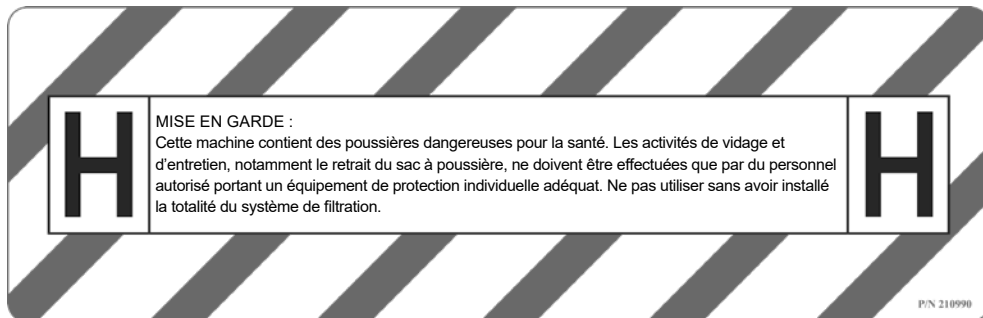
Les opérateurs doivent respecter toutes les réglementations de sécurité applicables aux matériaux concernés.

Cette machine est conçue pour une utilisation à sec uniquement.

PRÉPARATION POUR L'UTILISATION

Déballer et identifier chaque élément du matériel d'après le bon de livraison.

Vérifiez que les détails fournis correspondent aux informations figurant sur la plaque signalétique montée sur le bloc moteur.



Installation / retrait / élimination de la cartouche filtrante.

La cartouche filtrante qui contient les poussières et les débris ne doit être retirée et remplacée que par du personnel autorisé portant un équipement de protection individuelle adéquat, dans une zone de décontamination spécifiée.

Ne jamais utiliser la machine sans avoir mis en place la totalité du système de filtration.

Processus d'élimination :

Débranchez le tuyau, mettez en place le bouchon anti-poussière sur la collerette de branchement, détachez les deux pattes de fixation.

Déposez la cartouche filtrante située dans la cuve. Placez la cartouche filtrante à l'intérieur d'un sac en plastique étanche et scellez ce dernier.

Jetez le sac en plastique d'une façon appropriée selon la contamination.

ENTRETIEN

Toutes les pièces de la machine doivent être considérées comme étant contaminées lorsqu'elles sont retirées de la zone dangereuse, et des mesures adéquates doivent être prises pour éviter la dispersion des poussières.

Débranchez la machine de l'alimentation électrique pendant le nettoyage et l'entretien ou lors du remplacement de pièces.

Assurez-vous que la prise a été débranchée de la prise murale.

L'entretien doit être effectué dans une zone non dangereuse adéquate comportant des installations pour le nettoyage de la zone après le travail et avec une ventilation appropriée.

Le travail d'entretien et de nettoyage doit toujours être effectué par du personnel compétent autorisé muni d'un équipement de protection individuelle adéquat.

La cartouche filtrante doit être retirée et son niveau de contamination, ainsi que l'endommagement des joints d'étanchéité, doivent être vérifiés.

En cas d'endommagement ou de forte contamination de la cartouche filtrante, vous devez la remplacer.

Les éléments qui ne peuvent pas être nettoyés de façon satisfaisante (par exemple, le filtre) doivent être placés dans un sac en plastique étanche et jetés conformément aux réglementations en vigueur.

Remplacez les éléments qui ne peuvent pas être nettoyés de façon satisfaisante en utilisant des pièces agréées par le fabricant.

Examinez régulièrement le câble d'alimentation en vérifiant l'absence d'endommagement, comme des fissures ou une usure. S'il est endommagé, remplacez-le avant toute nouvelle utilisation.

Toutes les pièces de cet aspirateur sont d'une importance essentielle pour la sécurité ; ne les remplacez qu'avec des pièces Numatic d'origine.

Pour l'entretien effectué par l'utilisateur, la machine doit être démontée, nettoyée et entretenue dans la mesure où cela est possible dans la pratique sans poser de risque pour le personnel d'entretien ou d'autres personnes.

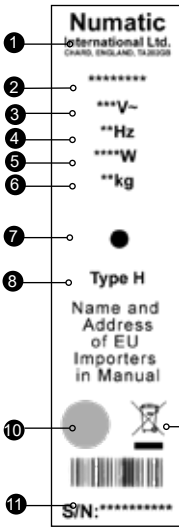
Les précautions appropriées comprennent la décontamination avant le démontage, la présence d'une ventilation d'extraction filtrée locale à l'endroit où la machine est démontée, le nettoyage de la zone d'entretien et des équipements de protection individuelle adéquats.

Dans les machines de classe H, l'extérieur de la machine doit être décontaminé par aspiration puis essuyé ou traité avec un agent d'étanchéité avant que la machine ne sorte de la zone dangereuse et des mesures appropriées doivent être prises pour éviter la dispersion des poussières. (Évaluation de risque HSE nécessaire).

Une personne qualifiée doit effectuer Au moins une fois par an – ou plus fréquemment si des exigences nationales l'imposent -, l'efficacité de filtration de la cartouche filtrante doit être vérifiée, ou bien la cartouche filtrante doit être remplacée, une inspection des filtres pour rechercher des signes d'endommagement, un contrôle de l'étanchéité de la machine et du fonctionnement correct du mécanisme de commande.

L'efficacité de la filtration doit également être testée au moins une fois par an, ou plus fréquemment si des exigences nationales l'imposent.

Les méthodes d'essai qui peuvent être utilisées pour vérifier l'efficacité du filtre de la machine sont spécifiées dans la norme EN 60335-2-69 Annexe AA (AA22.201.2). En cas d'échec du test, il convient de le répéter avec une nouvelle cartouche filtrante.



Type plaatje

1	Fabrikant
2	Machine omschrijving
3	Voltage / Wisselstroom
4	Frequentie
5	Vermogen
6	Gericht
7	Druk verschil meter voor meten van volle stofzak of vervuild filter, indien van toepassing
8	Type Gevaarlijk
9	WEEE Logo
10	Goedkeuringsmerk
11	Jaar-week-serienummer

Dagelijks

Houd de machine schoon, ook de slangen en buizen
Kijk na of de stofzak en het filter goed geplaatst zijn
Onderzoek het netsnoer regelmatig
Controleer regelmatig de stofzak
Controleer of de filters schoon zijn
Wekelijks – hetzelfde als dagelijks en –
Controleer of er versleten of beschadigde onderdelen zijn en zo ja, vervang deze onmiddellijk

ONDERHOUD

WEEE wetgeving

Stofzuiger, accessoires en verpakking dienen te worden gescheiden voor milieuvriendelijke verwerking

Alleen geldig voor EU landen:

U mag de stofzuiger, volgens de Europese Richtlijn 2012/19/EU met betrekking tot het weggooien van elektrisch en elektronische apparatuur en zoals opgenomen in de Nederlandse wetgeving, niet met het huishoudelijk afval weggooien.

Stofzuigers die niet meer geschikt zijn om te gebruiken dienen te worden verzameld en aangeboden voor milieuvriendelijke verwerking.



PERSOONLIJKE BESCHERMING die vereist kan zijn bij het uitvoeren van bepaalde werkzaamheden

Gehoorbescherming	Veiligheidsschoeisel	Veiligheidshelm	Veiligheidshandschoenen	
				Waarschuwingvloerbord
Oogbescherming	Beschermende kleding	Adembescherming	Reflecterende jas	

LET OP:

Een risico-inventarisatie dient te worden uitgevoerd teneinde te bepalen welke bescherming moet worden gebruikt.

Belangrijke veiligheidscomponenten

Snoer:

H05VV-F 10 m x 3 Core x 1.0 mm²

WAARSCHUWING

Zorg ervoor dat u voor gebruik van dit apparaat eerst de gebruiksaanwijzing leest.

Gebruikers dienen goed geïnstrueerd te zijn voordat ze dit soort apparaat bedienen. Zoals bij alle elektrische apparatuur dient tijdens gebruik steeds de nodige zorgvuldigheid in acht te worden genomen en bovendien dient regelmatig periodiek en preventief onderhoud te worden uitgevoerd om de veiligheid van het apparaat te kunnen garanderen.

Als noodzakelijk onderhoud niet naar behoren wordt uitgevoerd, hetgeen ook het vervangen van onderdelen door inferieure onderdelen omvat, kan het apparaat onveilig worden. De fabrikant kan hiervoor echter niet aansprakelijk worden gesteld.

Dit apparaat is uitsluitend voor DROOG GEBRUIK bestemd.

VOORDAT reiniging of onderhoud plaatsvindt en bij het vervangen van onderdelen of het aanpassen aan een andere functie, dient de stekker van het apparaat uit het stopcontact te worden getrokken zodat dit niet op het stroomnet is aangesloten.

Dit apparaat is bedoeld om te worden gemonteerd, gereinigd en onderhouden door een volwassene.

Deze machine mag niet worden gebruikt voor het opzuigen van biologisch gevaarlijk materiaal, gevaarlijk of explosief stof. Neem contact op met uw plaatselijke distributeur als u een apparaat wenst dat dit wel kan.

Deze machine mag niet worden gebruikt door kinderen of personen met verminderde lichamelijke, zintuiglijke of geestelijke vermogens, of met een gebrek aan ervaring of kennis.

Laat het netsnoer niet in contact komen met roterende borstels (indien gemonteerd).

De elektrische aansluiting op de stofzuiger (indien gemonteerd) uitsluitend gebruiken voor de in de handleiding aangegeven doeleinden.

ATTENTIE

De stofzuiger mag niet buiten worden opgeslagen, of worden gebruikt in een natte omgeving of voor het opzuigen van nat materiaal.

De stofzuiger dient op een droge plek te worden bewaard en binnen te worden gebruikt.

Zorg ervoor dat het geïnstalleerde filtersysteem van het apparaat geschikt is voor het op te zuigen materiaal.

OPMERKING

Dit product voldoet aan de eisen van clause 20 van IEC/EN 60335-2-69 Stabieleit en mechanische risico's.

Het primaire gebruik van deze machine is bedrijfsmatig, bijvoorbeeld in hotels, scholen, ziekenhuizen, fabrieken, winkels en kantoren.

Trek, indien de stofzuiger niet meer werkt, eerst de stekker uit het stopcontact alvorens te onderzoeken wat de oorzaak is.

Als de stofzuiger verstopt raakt, schakel deze dan uit, trek de stekker uit het stopcontact en controleer het mondstuk, de buizen en de slang. Plaats, indien het mondstuk, de buizen en de slang vrij zijn, de stofzak terug en maak het filter schoon.

De stofzuiger dient na gebruik op beschadiging te worden gecontroleerd.

Het spannings indicator lampje gaat branden als de stofzuiger is aangesloten op een geschikte stroombron.

WAT WEL TE DOEN

- De stofzuiger schoonhouden.
- De filters schoonhouden.
- Filterzakken gebruiken, hierdoor presteert de stofzuiger beter en blijft langer schoon.
- Bij het opzuigen van fijn stof een originele filterzak van Numatic gebruiken.
- De buizen en slang schoon en vrij van verstopping houden.
- Versleten of beschadigde onderdelen meteen vervangen.
- Regelmatig de stroomkabel controleren. Als de stroomkabel beschadigd blijkt te zijn en bijvoorbeeld barsten vertoont of versleten is, deze door een gekwalificeerde monteur laten vervangen door een originele stroomkabel van Numatic.
- De stofzak regelmatig vervangen.
- Het diffusiefilter (indien gemonteerd) schoonhouden.
- Op de stofzuiger alleen de meegeleverde borstels gebruiken. Het gebruik van andere borstels kan onveilig zijn.

WAT NIET TE DOEN

- De kabel met één ruk uitrollen of aan de stroomkabel trekken om de stekker uit het stopcontact te verwijderen.
- Hete as of brandende peuken opzuigen met de stofzuiger.
- Stoomreinigers of hogedrukspuiten gebruiken om het apparaat te reinigen of het apparaat onderdompelen in water.
- Proberen onderhoud aan de stofzuiger te verrichten of deze te reinigen terwijl de stekker in het stopcontact zit.
- De stofzuiger gebruiken in een natte omgeving of voor het opzuigen van nat materiaal.
- Het apparaat in een natte omgeving opslaan.
- In geen geval vreemde voorwerpen, waaronder (maar niet beperkt tot) luchtverfrissers, luchtverfrissende capsules of geurparels, van welke aard dan ook, in de bovenste filter van de machine plaatsen. Dit kan gevaarlijk zijn, schade veroorzaken aan de machine en de garantie op de machine ongeldig maken.

BELANGRIJKE INFORMATIE VOOR DE GEBRUIKER

Vóór gebruik moet gebruikers informatie, instructie en training aangeboden worden voor het gebruik van de stofzuiger en de stoffen waarvoor deze moet worden gebruikt, inclusief de veilige methode van afvalverwerking van opgezogen materiaal.

Het patroonfilter dient tijdig te worden vervangen.

Deze stofzuiger heeft een lampje dat gaat branden als de zuigkracht onder een vooraf bepaald niveau daalt, hetgeen aangeeft dat het patroonfilter moet worden vervangen.

Deze machine is niet geschikt om te worden aangesloten op apparaten die stof veroorzaken.

Het patroonfilter dient onbeschadigd te zijn en juist te zijn geplaatst voordat deze machine veilig kan worden gebruikt.

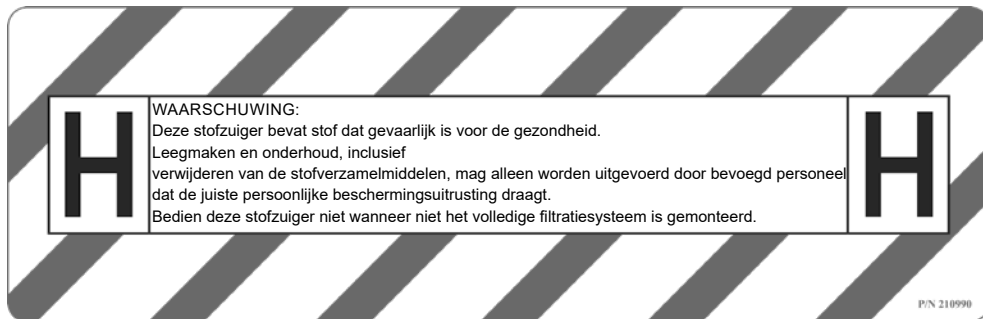
WAARSCHUWING:

1. Dit apparaat mag alleen worden bediend door personeel dat bevoegd is en voldoende opgeleid.
 2. De stofzuiger en de bijbehorende accessoires mogen niet worden gemodificeerd.
 3. De stofzuiger mag niet in een natte omgeving worden opgeslagen of gebruikt.
 4. Laat het patroonfilter niet zo vol worden dat de zuigkracht van de stofzuiger zodanig afneemt dat geen vuil meer kan worden opgezogen. (Lampje gaat branden bij vooraf ingestelde snelheid van de luchtstroom < 20 m/s).
 5. Deze stofzuiger mag alleen worden gerepareerd door personeel dat bevoegd is en voldoende opgeleid.
 6. Gebruik voor reparaties alleen originele onderdelen van Numatic International Ltd.
 7. Deze stofzuiger mag niet als vast afzuigsysteem worden geïnstalleerd of onbeheerd in werking zijn.
 8. Gebruik het essentiële filterelement niet opnieuw nadat het uit de stofzuiger is verwijderd.
- Gebruikers moeten zich aan alle veiligheidsvoorschriften houden die gelden voor de materialen waarmee wordt gewerkt.
Deze stofzuiger is uitsluitend bestemd voor het opzuigen van droge materialen.

VOORBEREIDING VOOR GEBRUIK

Pak de verschillende onderdelen van de stofzuiger uit en controleer met de afleveringsbon of de stofzuiger compleet is.

Controleer of de verstrekte gegevens overeenkomen met de informatie op het "typeplaatje", dat op het motorbloksamenstel is gemonteerd.



Patroonfilter aanbrengen / verwijderen / afvoeren.

Het verwijderen en vervangen van het patroonfilter mag alleen in een daartoe voorziene ruimte worden uitgevoerd door bevoegd personeel dat de juiste persoonlijke beschermingsmiddelen draagt.

Gebruik de stofzuiger nooit zonder dat het volledige filtratiesysteem is geplaatst.

Afvalverwerkingsprocedure:

Verwijder de slang, doe de beschermkap op de slangaansluiting en maak de twee klemmen los.

Verwijder het patroonfilter uit de stofbak. Doe het patroonfilter in een ondoorlatende plastic zak en maak de zak dicht.

Voer de plastic zak op een geschikte wijze af, afhankelijk van de aard van de verontreiniging.

ONDERHOUD

Alle onderdelen van de stofzuiger moeten als verontreinigd worden beschouwd als de stofzuiger in een gevarenzone is gebruikt en er dienen geschikte maatregelen te worden genomen om verspreiding van stof te voorkomen.

Trek de stekker uit het stopcontact wanneer u de stofzuiger reinigt of controleert of als u onderdelen vervangt.

Controleer of de stekker uit het stopcontact is gehaald.

Onderhoud moet worden uitgevoerd in een geschikte, goed geventileerde en gevarenvrije ruimte met voorzieningen om de ruimte na het onderhoud te reinigen.

Onderhouds- en reinigingswerkzaamheden moeten altijd worden uitgevoerd door bekwaam en bevoegd personeel dat geschikte persoonlijke beschermingsmiddelen draagt.

Het patroonfilter moet worden verwijderd en gecontroleerd op de mate van contaminatie en op beschadiging van het doek of de afdichtingen.

Als blijkt dat het patroonfilter beschadigd of ernstig verontreinigd is, moet u het vervangen.

Onderdelen die niet goed genoeg kunnen worden gereinigd (bijv. filters) moeten worden weggegooid in een ondoorlatende plastic zak en volgens de geldende voorschriften worden afgevoerd met het afval.

Vervang de onderdelen die niet voldoende goed kunnen worden gereinigd door onderdelen die door de fabrikant zijn goedgekeurd.

Onderzoek de stroomkabel regelmatig op beschadigingen, zoals scheuren of verouderingsverschijnselen. Vervang de kabel als deze beschadigd is voordat u de machine opnieuw gebruikt.

Alle onderdelen van deze stofzuiger zijn van essentieel belang voor het veilig functioneren van dit apparaat en mogen daarom alleen door originele Numatic-reserveonderdelen worden vervangen.

Indien onderhoud door de gebruiker wordt uitgevoerd, moet de stofzuiger worden gedemonteerd, gereinigd en nagezien, voor zover praktisch mogelijk is, zonder dat risico ontstaat voor onderhoudspersoneel of anderen.

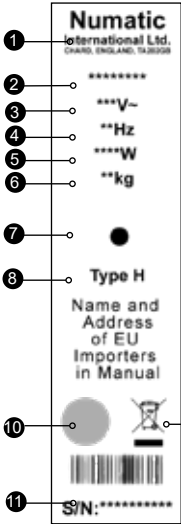
Geschikte voorzorgsmaatregelen zijn onder andere reiniging vóór demontage, het voorzien van een lokale filterinstallatie op de plaats waar de machine wordt gedemonteerd, reiniging van de onderhoudsruimte en geschikte persoonlijke beschermingsmiddelen.

Bij apparaten van de H-klasse moet de buitenzijde worden gereinigd door deze met een stofzuiger schoon te maken, en worden schoongeveegd en behandeld met een afdichtmiddel voordat de stofzuiger uit de gevarenzone wordt gehaald en moeten de juiste maatregelen worden genomen om verspreiding van stof te voorkomen. (VGM-risicobeoordeling noodzakelijk).

Ten minste één keer per jaar dient een vakbekwaam persoon een technische inspectie uit te voeren die bestaat uit bijvoorbeeld: controle van filters op beschadiging, van luchtdichtheid van de stofzuiger en van de juiste werking van het bedieningsmechanisme.

Ook de effectiviteit van de filtratie moet ten minste één keer per jaar worden getest of vaker als de nationaal geldende voorschriften dit voorschrijven.

De testmethoden die kunnen worden gebruikt voor het controleren van de effectiviteit van de filters zijn vastgelegd in IEC 60335-2-69 bijlage AA (AA22.201.2). Als de stofzuiger de test niet haalt, moet deze worden herhaald met een nieuwe patroonfilter.



Etiqueta energética

1	Nome e endereço da empresa
2	Modelo
3	Tensão / Corrente alternada
4	Frequência
5	Potência nominal
6	Peso (pronto a utilizar)
7	Indicador de baixo fluxo *(Se aplicável)
8	Tipo perigoso
9	Símbolo WEEE
10	Marca de aprovação
11	Ano/semana/ Número de série da máquina

Diariamente

Mantenha a máquina limpa, incluindo os tubos flexíveis e os tubos.
 Certifique-se de que o saco e o filtro estão instalados.
 Inspeccione o cabo de alimentação com regularidade.
 Inspeccione o saco de pó com frequência.
 Verifique se os filtros estão limpos.
Semanalmente - como diariamente e:
 Verifique se há peças desgastadas ou danificadas e substitua-as imediatamente.

MANUTENÇÃO

Legislação REEE

Os acessórios e a embalagem do aspirador devem ser separados para reciclagem. (Apenas para países da UE)

Não eliminar o aspirador junto com os resíduos domésticos! Em conformidade com a Directiva Europeia 2012/19/EU relativa a Resíduos de Equipamentos Eléctricos e Electrónicos e respectiva incorporação na legislação nacional.

Os aspiradores que já não sejam adequados para utilização devem ser recolhidos em separado e enviados para recuperação de forma adequada em termos ambientais.



EPI (Equipamento de Protecção Individual) que pode ser necessário para realizar certas operações).

Protecções auriculares	Calçado de segurança	Capacete	Luvas de segurança	
				Sinal de atenção para colocar no piso
Óculos de protecção	Vestuário de protecção	Protecção contra poeiras/ alergénios	Colete reflector	

Nota* Deve realizar-se uma avaliação dos riscos para determinar o tipo de EPI a usar

Componentes críticos de segurança

Cabo de alimentação: H05VV-F 10 m x 3 Core x 1.0 mm²

(PT) Informação relativa a aspiradores de utilização EM SECO

Advertência

Certifique-se de que lê o manual de instruções antes de utilizar a máquina.

Os operadores devem receber instruções adequadas sobre a utilização desta máquina, bem como sobre todo o equipamento eléctrico; deve ter-se cuidado e prestar-se atenção em todas as circunstâncias durante a utilização; além disso, deve também certificar-se de que realiza certas operações de manutenção de rotina e de prevenção periodicamente para garantir uma utilização segura.

Se a manutenção não for devidamente realizada, incluindo a substituição correcta de peças, a segurança do equipamento pode ser comprometida e o fabricante não poderá ser responsabilizado por esse facto.

A máquina destina-se exclusivamente a UTILIZAÇÃO A SECO.

Deve desligar a máquina da alimentação eléctrica retirando a ficha da tomada de parede ANTES de limpar ou realizar a manutenção e quando substituir peças ou converter a máquina para outra função.

Este aparelho destina-se a ser montado, limpo e submetido a manutenção por um adulto.

Esta máquina não é adequada para a recolha de poeiras com perigo biológico, perigosas ou explosivas. Se necessitar de uma máquina com capacidade para realizar essas tarefas, contacte o seu distribuidor local.

Esta máquina não deve ser utilizada por crianças ou por pessoas com capacidades físicas, sensoriais ou mentais reduzidas, ou falta de experiência ou conhecimento.

Não deve permitir que o cabo de alimentação entre em contacto com as escovas ou discos em rotação (se instalados).

Utilize a tomada da máquina apenas para os fins indicados nas instruções (quando existente).

Esta máquina não é um brinquedo; as crianças não devem brincar com esta máquina.

Atenção

Esta máquina não deve ser guardada no exterior, nem utilizada em ambientes húmidos ou para recolher materiais húmidos.

O aspirador deve ser guardado num local seco e destina-se exclusivamente a utilização em interiores.

Deve garantir que o sistema de filtragem instalado na máquina é adequado para o material a recolher.

NOTAS

Este produto cumpre os requisitos da cláusula 20 da norma IEC/EN 60335-2-69 Estabilidade e riscos mecânicos.

Esta máquina é adequada à utilização comercial, por exemplo em hotéis, escolas, hospitais, fábricas, lojas e escritórios, para efeitos para além dos de limpeza doméstica.

Se o aspirador deixar de funcionar, retire a ficha da tomada antes de tentar identificar a falha.

Se o aspirador ficar obstruído, desligue-o, retire a ficha da tomada de parede e inspecione a ferramenta do pavimento, os tubos e os tubos flexíveis para identificação de resíduos. Se a ferramenta do pavimento, os tubos e os tubos flexíveis estiverem desobstruídos, substitua o saco de pó e limpe o filtro.

Após a utilização, o aspirador deve ser inspecionado para identificação de danos.

A luz da alimentação acende quando a máquina é ligada a uma fonte de alimentação adequada.

DEVE

- Manter a máquina limpa.
- Manter os filtros limpos.
- Utilizar sacos de filtro, pois melhorarão o desempenho e ajudarão a manter a máquina limpa.
- Utilizar um saco de filtro Numatic original em condições de poeiras finas.
- Manter os tubos flexíveis e os tubos desobstruídos.
- Substituir imediatamente as peças desgastadas ou danificadas.
- Inspeccionar o cabo de alimentação com regularidade. Caso identifique danos, tais como fissuras ou envelhecimento no cabo de alimentação, este deve ser substituído por um técnico competente utilizando a peça Numatic original apropriada.
- Substituir o saco de pó com frequência.
- Manter o filtro difusor (quando utilizado) limpo.
- Utilizar apenas as escovas fornecidas com o aparelho. A utilização de outras escovas pode comprometer a segurança.

Não deve

- Desenrolar o cabo com um puxão ou puxar pelo cabo para desligar a máquina da fonte de alimentação.
- Utilizar o aparelho para aspirar cinzas quentes ou pontas de cigarros acesos.
- Utilizar máquinas de limpeza a vapor ou de pressão ou mergulhar em água para limpar o aparelho.
- Tentar manter ou limpar a máquina sem que tenha retirado a ficha da tomada de alimentação.
- Utilizar em ambiente húmido ou para recolher materiais molhados.
- Guardar o aparelho em condições com humidade.
- Em nenhuma circunstância coloque objetos estranhos, incluindo, sem limitações, ambientadores, cápsulas de ambientador ou pérolas perfumadas de qualquer tipo, no filtro superior da máquina. Isso pode ser perigoso, danificar a máquina ou invalidar a respetiva garantia.

INFORMAÇÕES IMPORTANTES PARA O UTILIZADOR

Antes de utilizarem a máquina, os operadores devem receber as informações, instruções e formação relativas à utilização da máquina e às substâncias para as quais é utilizada, incluindo o método seguro de eliminação do material recolhido.

O filtro do cartucho tem de ser substituído quando for necessário.

Este aspirador possui uma lâmpada que acende sempre que a velocidade do ar desce abaixo de um nível predefinido, o que indica que o filtro de cartucho deve ser substituído.

Esta máquina não é adequada para ligação a máquinas geradoras de pó.

O filtro de cartucho deverá estar isento de danos e na posição correta antes de a máquina poder ser utilizada com segurança.

ADVERTÊNCIA:

1. Esta máquina apenas deve ser operada por pessoal autorizado e devidamente formado.
2. Esta máquina ou os respetivos acessórios não devem ser modificados.
3. Esta máquina não pode ser guardada nem utilizada em ambientes húmidos.
4. Não deixe que o filtro de cartucho fique tão cheio que reduza a eficácia de recolha do aspirador. (A lâmpada acende-se aos níveis de velocidade predefinidos < 20 m/s.)
5. Esta máquina apenas deve ser reparada por pessoal autorizado e devidamente formado.
6. Utilize apenas peças sobresselentes genuínas da Numatic nas reparações.
7. Esta máquina não deve ser instalada como um sistema de extração fixo ou funcionar sem supervisão.
8. Não reutilize o elemento filtrante depois de o retirar da máquina.

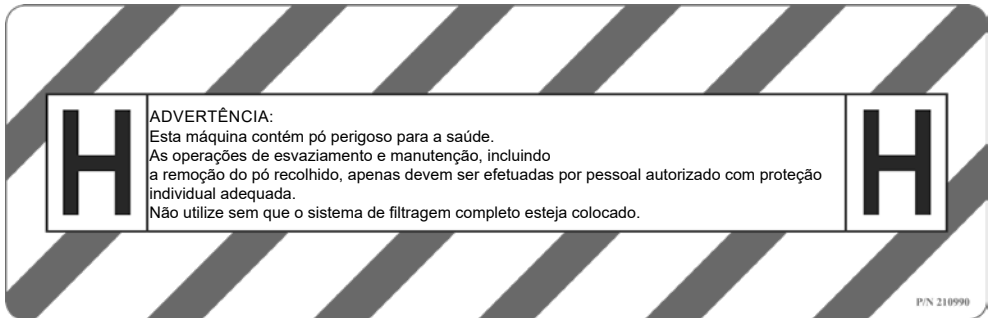
Os operadores deverão cumprir todos os regulamentos de segurança aplicáveis aos materiais manuseados.

Esta máquina destina-se exclusivamente a utilização em seco.

PREPARAÇÃO PARA A UTILIZAÇÃO

Desembale e identifique cada item de equipamento da nota de entrega.

Verifique se os dados correspondem às informações da "placa de características" na cabeça do aparelho.



Instalação / Remoção / Eliminação do filtro de cartucho.

O filtro de cartucho com o pó e os resíduos deverá ser removido e substituído apenas por pessoal autorizado com equipamento de proteção individual adequado, numa área de descontaminação especificada.

Nunca utilize sem que o sistema de filtragem completo esteja colocado.

Processo de eliminação:

Desligue o tubo, coloque a tampa de pó na flange do tubo, desprenda os dois grampos.

Remova o filtro de cartucho do tambor. Coloque o filtro de cartucho dentro de um saco de plástico impermeável e sele o saco.

Elimine o saco de plástico, consoante a contaminação, de forma adequada.

MANUTENÇÃO

Todas as peças da máquina devem ser consideradas contaminadas quando removidas da área de risco, devendo ser tomadas ações adequadas para prevenir a dispersão do pó.

Desligue da alimentação durante a limpeza, manutenção ou para substituir peças.

Certifique-se de que desligou a ficha da tomada de alimentação.

A manutenção deve ser efetuada numa área não perigosa e adequada, dotada de instalações para a limpeza da área após a manutenção, e com ventilação adequada.

Os trabalhos de limpeza e manutenção devem ser sempre efetuados por pessoal autorizado equipado com proteção individual adequada.

O filtro de cartucho deve ser retirado e verificado quanto ao grau de contaminação e danos nas vedações.

Se o filtro de cartucho estiver danificado ou muito contaminado, deverá ser substituído.

Os itens que não podem ser limpos de forma satisfatória (por exemplo, filtro) devem ser eliminados num saco de plástico impermeável em conformidade com regulamentos atuais.

Substitua os itens que não podem ser limpos de forma satisfatória por peças aprovadas do fabricante.

Examine regularmente o cabo de alimentação relativamente a danos, tais como fendas ou envelhecimento. Se detetar danos, substitua o cabo antes de voltar a utilizar.

Todas as peças deste aspirador são críticas em termos de segurança e apenas devem ser substituídas por peças sobresselentes genuínas da Numatic.

Para efetuar a manutenção, a máquina deve ser desmontada, limpa e objeto de manutenção, tanto quanto razoavelmente praticável sem riscos para os funcionários de manutenção e outras pessoas.

As medidas de precaução adequadas incluem a descontaminação antes do desmantelamento, ventilação por exaustão local com filtro no local em que a máquina é desmantelada, limpeza da área de manutenção e proteção individual adequada.

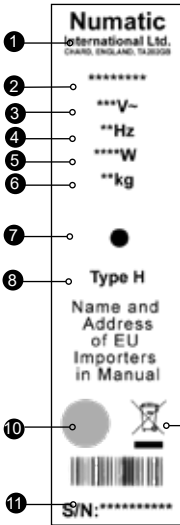
No caso das máquinas de classe H, o exterior das máquinas deve ser descontaminado por métodos de limpeza por vácuo e limpo ou tratado com um vedante antes de ser retirado da área perigosa, devendo ser tomadas ações adequadas para prevenir a dispersão do pó. (Necessária avaliação de riscos de segurança e saúde.)

Pelo menos anualmente deverá ser efetuada uma inspeção técnica por uma pessoa competente, que deverá consistir, por exemplo, na verificação dos filtros quanto a danos, estanqueidade da máquina e funcionamento correto do mecanismo de controlo.

Também a eficácia da filtragem deverá ser igualmente testada, pelo menos, anualmente, ou com maior frequência, conforme especificado nos requisitos nacionais.

Os métodos de teste que podem ser utilizados para verificar a eficiência de filtragem da máquina encontram-se especificados em EN 60335-2-69 Anexo AA (AA22.201.2). Se o teste não for satisfatório, deverá ser repetido com um filtro de cartucho novo.

(IT) Caratteristiche apparecchio



Targhetta caratteristiche

1	Ragione sociale e indirizzo azienda
2	Modello
3	Tensione / Alternata corrente
4	Frequenza
5	Potenza nominale
6	Peso (apparecchio pronto per l'uso)
7	Indicatore di flusso basso *(se applicabile)
8	Tipo di pericolo
9	WEEE Logo
10	Marchio di omologazione
11	Anno/settimana di produzione e numero di serie

Ogni giorno

L'apparecchio, i flessibili e i tubi devono essere sempre puliti.

Montare il sacchetto e il filtro.

Esaminare regolarmente il cavo di alimentazione.

Controllare spesso che il sacchetto sia integro.

Verificare il grado di intasamento dei filtri.

Ogni settimana, come ogni giorno e:

Verificare l'eventuale presenza di componenti usurati o danneggiati e sostituirli senza esitazioni.

MANUTENZIONE

Norme WEEE

L'aspirapolvere, gli accessori e gli imballaggi devono essere smaltiti in conformità delle norme in vigore sul riciclaggio.

(Solo per i Paesi UE)

Non smaltire l'aspirapolvere con i rifiuti domestici. In conformità della direttiva europea 2012/19/EU sui rifiuti di apparecchiature elettriche ed elettroniche e relativo recepimento nelle norme di legge nazionali.

Gli apparecchi di scarto devono essere accantonati e predisposti per il riciclaggio in modo responsabile.



DPI (dispositivi di protezione individuale) che potrebbero essere richiesti per talune operazioni.

Protezione dell'udito	Calzature di sicurezza	Protezione della testa	Guanti di sicurezza	
Protezione per gli occhi	Indumenti di protezione	Protezione contro polvere/allergeni	Giubbotto ad alta visibilità	

Nota* Un'apposita valutazione dei rischi deve stabilire i DPI che devono essere utilizzati.

Componenti critici per la sicurezza

Cavo di alimentazione da rete: H05VV-F 10 m x 3 Core x 1.0 mm²

AVVERTENZA

Leggere attentamente le istruzioni prima di usare l'apparecchio.

Gli operatori devono essere addestrati all'uso di questi apparecchi, nonché a trattarli sempre con cura e attenzione, provvedendo anche alla loro manutenzione periodica e preventiva onde garantirne il funzionamento in condizioni di sicurezza.

La mancata effettuazione degli interventi di manutenzione prescritti, nonché l'uso di ricambi originali, possono compromettere l'uso dell'apparecchio in condizioni di sicurezza. Il fabbricante declina ogni responsabilità in proposito.

L'apparecchio è del tipo DRY USE.

Scollegare la spina del cavo di alimentazione PRIMA degli interventi di pulizia e manutenzione nonché alla sostituzione dei componenti o alla conversione dell'apparecchio ad altro uso.

Il montaggio, la pulizia e la manutenzione dell'apparecchio sono di esclusiva competenza di persone adulte.

L'apparecchio non è idoneo all'aspirazione di sostanze biologicamente pericolose, di polveri pericolose o esplosive. Per le applicazioni di cui sopra rivolgersi al distributore di fiducia.

Non è consentito l'uso dell'apparecchio ai minori e a coloro che hanno ridotte facoltà fisiche, sensoriali o mentali, agli inesperti se non opportunamente addestrati.

Evitare il contatto tra il cavo di alimentazione ed eventuali spazzole rotanti.

Utilizzare esclusivamente la presa dell'apparecchio secondo le eventuali istruzioni prescritte.

L'apparecchio non è un giocattolo. Tenere lontani i bambini dall'apparecchio.

ATTENZIONE

L'apparecchio non deve essere lasciato all'aperto o utilizzato in ambienti umidi, ovvero usato per aspirare materiali umidi.

L'aspirapolvere deve essere custodito in ambiente asciutto e utilizzato solo in ambienti interni.

Occorre assicurarsi che i filtri montati sull'apparecchio siano adatti al materiale da aspirare.

NOTES

pparecchio è conforme ai requisiti IEC/EN 60335-2-69, Clausola 20 - Stabilità e rischi meccanici.

L'apparecchio è adatto anche all'impiego in ambito commerciale, ad esempio in alberghi, scuole, ospedali, fabbriche, negozi e uffici per attività diverse da quelle di normale pulizia domestica.

In caso di mancato funzionamento dell'aspirapolvere, staccare la spina dalla presa di alimentazione prima di qualsiasi intervento.

Se l'aspirapolvere si blocca, disinserire la corrente, staccare la spina di alimentazione e verificare che l'apparecchio, i tubi e il flessibile non siano intasati. Se l'apparecchio, i tubi e il flessibile non sono ostruiti, sostituire il sacchetto e pulire il filtro.

Dopo l'uso, controllare l'aspirapolvere per assicurarsi che sia sempre efficiente.

La spia si illumina quando l'apparecchio è collegato ad una corrente di alimentazione idonea.

SI

- Mantenere l'apparecchio sempre pulito.
- Assicurarsi che i filtri non siano intasati.
- Utilizzare i sacchetti filtro previsti, a garanzia di ottime prestazioni e massima pulizia dell'apparecchio.
- In ambienti con presenza di polveri sottili usare i sacchetti filtro originali Numatic.
- Assicurarsi che i flessibili e i tubi non siano occlusi.
- Sostituire immediatamente gli eventuali componenti usurati o danneggiati.
- Controllare frequentemente che il cavo di alimentazione sia integro. In presenza di difetti (fessurazioni od invecchiamento) sostituire senza esitazioni il cavo a cura di addetto competente utilizzando esclusivamente ricambi originali Numatic.
- Sostituire spesso il sacchetto.
- Verificare che l'eventuale filtro diffusore sia sempre pulito.
- Utilizzare esclusivamente le spazzole fornite con l'apparecchio. L'utilizzo di altre spazzole può compromettere la sicurezza d'uso.

NO

- Svolgere il cavo a stratonni o staccare la spina agendo sul cavo di alimentazione.
- Aspirare ceneri ancora calde o mozziconi di sigarette accesi.
- Utilizzare apparecchi di lavaggio a vapore o a pressione o immergere l'aspirapolvere in acqua per pulirlo.
- Eseguire interventi di manutenzione o di pulizia senza prima aver scollegato il cavo di alimentazione dalla presa.
- Utilizzare l'apparecchio in ambienti umidi o per aspirare materiali bagnati.
- Depositare l'apparecchio all'umido.
- Mettere per nessun motivo oggetti estranei, tra cui deodoranti per ambienti, capsule deodoranti o perline profumate di qualsiasi tipo, nel filtro superiore della macchina. Questo comportamento è pericoloso, può provocare danni alla macchina e far decadere la garanzia.

INFORMAZIONI IMPORTANTI PER L'UTENTE

Prima dell'uso è necessario fornire agli operatori informazioni, istruzioni e formazione sull'uso dell'apparecchio e sulle sostanze per cui deve essere utilizzato, compreso il metodo sicuro per lo smaltimento del materiale raccolto.

La cartuccia filtrante deve essere sostituita quando necessario.

L'aspirapolvere è dotato di una spia che si accende quando la velocità dell'aria scende al di sotto di un livello preimpostato; ciò segnala che la cartuccia filtrante deve essere sostituita.

L'apparecchio non è adatto per il collegamento a macchine che generano polvere.

La cartuccia filtrante deve essere integra e posizionata correttamente prima di poter utilizzare l'apparecchio in modo sicuro.

AVVERTENZA:

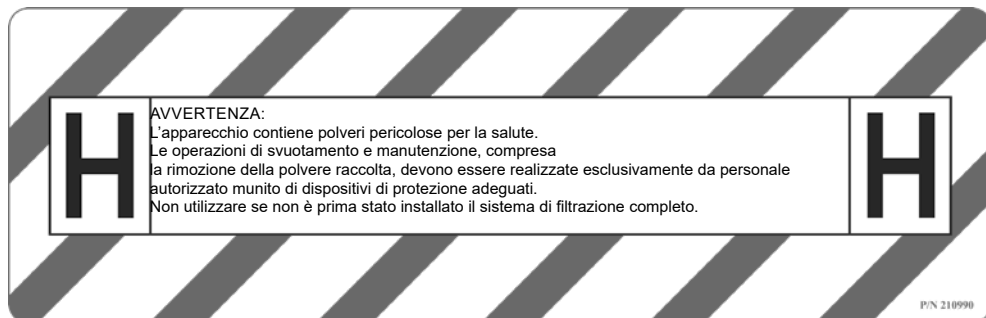
1. L'apparecchio deve essere utilizzato esclusivamente da personale adeguatamente formato e autorizzato.
2. L'apparecchio e i suoi accessori non devono essere modificati.
3. L'apparecchio non deve essere riposto o utilizzato in un ambiente umido.
4. Non lasciare che la cartuccia filtrante si riempia a tal punto da ridurre il funzionamento efficace dell'aspirapolvere. (la spia si accenderà a livelli della velocità dell'aria preimpostati <20 m/s).
5. L'apparecchio deve essere riparato esclusivamente da personale adeguatamente formato e autorizzato.
6. Per le riparazioni utilizzare esclusivamente ricambi originali Numatic International Ltd.
7. L'apparecchio non deve essere utilizzato come sistema di aspirazione fisso né deve essere lasciato in funzione incustodito.
8. Non riutilizzare l'elemento filtrante essenziale dopo la sua rimozione dalla macchina.

Gli operatori devono osservare eventuali norme di sicurezza appropriate per i materiali da movimentare. L'apparecchio è destinato al solo uso a secco.

PREPARAZIONE PER L'USO

Disimballare e identificare ogni elemento dell'apparecchio nella distinta di consegna.

Controllare che i dettagli forniti corrispondano alle informazioni riportate sulla targhetta dei dati nominali montata sul gruppo testa.



P/N 210990

Installazione/Rimozione/Smaltimento della cartuccia filtrante.

La cartuccia filtrante contenente la polvere e i detriti deve essere rimossa e sostituita esclusivamente da personale autorizzato, munito di dispositivi di protezione personale adeguati, in un'area di decontaminazione specificata.

Non utilizzare mai senza il sistema di filtrazione completo installato.

Procedura di smaltimento:

Scollegare il flessibile, montare il tappo antipolvere sulla flangia del flessibile, sganciare i due fermi.

Rimuovere la cartuccia filtrante dal tamburo. Mettere la cartuccia filtrante all'interno di un sacco di plastica resistente e sigillarlo.

Smaltire il sacco di plastica in modo appropriato a seconda del livello di contaminazione.

MANUTENZIONE

Tutti i componenti dell'apparecchio devono essere considerati come contaminati quando vengono rimossi dall'area pericolosa ed è necessario adottare misure appropriate per evitare la dispersione di polvere.

Scollegare l'alimentazione durante le attività di pulizia e manutenzione o la sostituzione di componenti.

Accertarsi di staccare la spina dalla presa.

La manutenzione deve essere effettuata in un'area non pericolosa adeguata, dotata di impianti per la pulizia dell'area dopo la manutenzione e di ventilazione adeguata.

Gli interventi di manutenzione e pulizia devono essere sempre realizzati da personale competente autorizzato munito di dispositivi di protezione personale adeguati.

La cartuccia filtrante deve essere estratta e controllata allo scopo di rilevarne il grado di contaminazione ed eventuali danni alle tenute.

Se la cartuccia filtrante è danneggiata o pesantemente contaminata deve essere sostituita.

Gli elementi che non possono essere puliti in modo soddisfacente (ad es. filtri) devono essere smaltiti in un sacco di plastica resistente e in conformità alle normative correnti.

Sostituire gli articoli che non possono essere puliti in modo soddisfacente utilizzando ricambi approvati dal produttore.

Controllare periodicamente il cavo di alimentazione alla ricerca di eventuali danni, come incrinature o invecchiamento. In caso di danni, sostituire il cavo prima di ogni ulteriore utilizzo.

Tutti i componenti dell'aspirapolvere sono di importanza critica per la sicurezza e devono essere sostituiti esclusivamente con ricambi Numatic originali.

Per la manutenzione da parte dell'utente l'apparecchio deve essere smontato, pulito e manutenzionato, nella misura in cui sia ragionevolmente fattibile, senza provocare rischi per il personale addetto alla manutenzione e per altri.

Le precauzioni adeguate includono la decontaminazione prima dello smontaggio, la fornitura di ventilazione di scarico locale con filtro laddove l'apparecchio viene smontato, la pulizia dell'area di manutenzione e protezione personale adeguata.

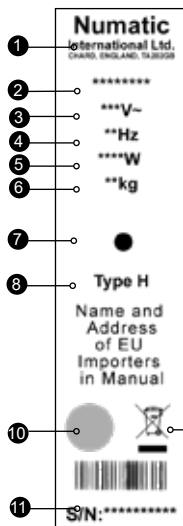
Nei modelli della classe H l'esterno dell'apparecchio deve essere decontaminato con metodi di pulizia tramite aspirazione prima della rimozione dall'area pericolosa e devono essere adottate misure appropriate per evitare la dispersione di polvere (valutazione dei rischi relativi a salute, sicurezza e ambiente necessaria).

Almeno ogni anno una persona competente deve realizzare un'ispezione tecnica costituita da, ad esempio, ispezione dei filtri allo scopo di rilevare eventuali danni, verificare l'impermeabilità dell'apparecchio e il funzionamento corretto del meccanismo di controllo.

Anche l'efficienza di filtrazione deve essere testata come minimo annualmente o più frequentemente come specificato dai requisiti nazionali.

I metodi di test che possono essere utilizzati per verificare l'efficienza filtrante dell'apparecchio sono specificati in EN 60335-2-69 Allegato AA (AA22.201.2). Se il test non viene superato deve essere ripetuto con una nuova cartuccia filtrante.

(ES) Información sobre la máquina



Etiqueta de características	
1	Nombre y domicilio de la empresa
2	Modelo
3	Tensión / Corriente alterna
4	Frecuencia
5	Potencia nominal de entrada
6	Peso (lista para el uso)
7	Indicador de flujo bajo * (si corresponde)
8	Tipo: clase H
9	Logotipo RAEE
10	Marca de aprobación
11	N.º de serie de la máquina con año/semana

Diariamente

Mantenga limpia la máquina, incluidos las mangueras y los tubos. Asegúrese de que estén colocados la bolsa y el filtro. Examine periódicamente el cable de alimentación. Revise con frecuencia la bolsa de polvo. Compruebe que los filtros estén limpios.

Semanalmente: igual que diariamente, y además:

Compruebe si hay piezas desgastadas o dañadas y, en tal caso, sustitúyalas inmediatamente.

MANTENIMIENTO

Normativa RAEE

La aspiradora, los accesorios y el embalaje se deben clasificar para su reciclaje ecológico.

(Solo para países de la UE)

No deseche la aspiradora junto con los residuos domésticos. De acuerdo con la Directiva europea 2012/19/EU sobre residuos de aparatos eléctricos y electrónicos y su incorporación en la legislación nacional.

Las aspiradoras que ya no sirven se deben recoger por separado y enviar para su recuperación ecológica.



EPI (equipo de protección individual) que puede ser necesario para determinadas operaciones.

Protección de los oídos	Calzado de seguridad	Protección de la cabeza	Guantes de seguridad	
Protección de los ojos	Ropa de protección	Protección contra el polvo/alérgenos	Chaleco de alta visibilidad	Cartel de Atención

Nota: Deberá realizarse una evaluación de riesgos que determine qué clase de EPI conviene utilizar.

Componentes críticos para la seguridad

Cable de alimentación: H05VV-F 10 m x 3 Core x 1.0 mm²

(ES) Información sobre aspiradoras EN SECO

ATENCIÓN

Asegúrese de leer el manual de instrucciones antes de utilizar la máquina.

Se deberá proporcionar a los operarios las indicaciones apropiadas sobre la utilización de estas máquinas. Al igual que todo equipo eléctrico, se debe tener cuidado y prestar atención en todo momento durante su utilización, además de llevar a cabo periódicamente el mantenimiento preventivo para asegurar el funcionamiento sin riesgo.

Si no se realiza debidamente el mantenimiento, incluida la sustitución de las piezas correctas, el equipo podría resultar peligroso y el fabricante no aceptará responsabilidad alguna al respecto.

Esta máquina está prevista solamente para el USO EN SECO.

Desenchufe la máquina de la red de suministro ANTES de limpiar o realizar el mantenimiento, así como al sustituir piezas o convertir la máquina para que cumpla otra función.

El aparato está previsto para que lo arme, limpie y mantenga una persona adulta.

Esta máquina no es adecuada para recoger sustancias biológicas peligrosas ni polvos peligrosos o explosivos.

Si necesita una máquina capaz de realizar estas tareas, póngase en contacto con su distribuidor local.

Esta máquina no debe ser utilizada por niños o personas con minusvalías físicas, sensoriales o mentales, o que carezcan de experiencia y conocimientos.

No deje que el cable de alimentación entre en contacto con cepillos que estén girando (si la máquina los tiene).

Utilice la toma situada en la máquina solamente para los fines indicados en las instrucciones

(si la máquina la tiene). Esta máquina no es un juguete; no deje que los niños jueguen en ella.

PRECAUCIÓN

Esta máquina no se debe guardar a la intemperie ni utilizar en ambientes húmedos o para recoger materiales mojados.

La aspiradora debe guardarse en un lugar seco y está prevista para uso exclusivamente en interiores.

Debe asegurarse de que el sistema de filtrado de la máquina sea adecuado para el material que se va a recoger.

NOTAS

Este producto cumple con los requisitos establecidos en la cláusula 20 de IEC/EN 60335-2-69 sobre Estabilidad y Peligros Mecánicos.

Esta máquina es adecuada para uso comercial, como en hoteles, escuelas, hospitales, fábricas, tiendas y oficinas para otros fines que no sean las tareas domésticas normales.

Si la aspiradora deja de funcionar, desenchúfela de la toma de pared antes de investigar la causa.

Si la aspiradora tiene alguna obstrucción, apáguela, desenchúfela de la toma de corriente y examine la boquilla, la tubería y la manguera en busca de desechos. Si la boquilla, la tubería y la manguera están despejadas, cambie la bolsa de polvo y limpie el filtro.

Después de utilizarla, la aspiradora se deberá examinar en busca de daños.

La luz de alimentación estará encendida mientras la máquina esté conectada a una fuente de alimentación adecuada

SI

- Mantenga limpia la máquina.
- Mantenga limpios los filtros.
- Utilice bolsas filtrantes; mejorarán el rendimiento de la máquina y ayudarán a mantenerla limpia.
- Utilice una bolsa filtrante Numatic Original cuando hay polvo fino.
- Mantenga despejadas la manguera y los tubos.
- Sustituya inmediatamente toda pieza desgastada o dañada.
- Examine periódicamente el cable de alimentación. Si se encuentra algún daño, como agrietamiento o envejecimiento, una persona competente deberá sustituir el cable de alimentación por el repuesto correcto original de Numatic.
- Cambie con frecuencia la bolsa de polvo.
- Mantenga limpio el filtro difusor (si lo hay).
- Utilice solamente los cepillos provistos con la máquina. El uso de otros cepillos puede comprometer la seguridad.

NO

- No desenrolle el cable de un tirón ni tire del cable para desenchufar la máquina de la fuente de alimentación.
- No utilice la máquina para aspirar cenizas calientes ni colillas encendidas.
- No utilice una máquina de limpieza al vapor o de lavado a presión para limpiar la máquina, ni sumerja esta en agua.
- No intente realizar trabajos de mantenimiento o limpieza de la máquina sin haberla desenchufado de la toma de corriente.
- No la utilice en un entorno húmedo ni para recoger materiales mojados.
- No guarde la máquina en condiciones húmedas.
- No introduzca bajo ninguna circunstancia objetos extraños de ningún tipo (ambientadores, cápsulas de ambientador, perlas perfumadas o cualquier otro objeto extraño) en el filtro superior de la máquina. Esto podría ser peligroso, ocasionar daños a la máquina e invalidar la garantía

INFORMACIÓN IMPORTANTE PARA EL USUARIO

Antes de empezar a utilizar la máquina, el operario recibirá información y capacitación sobre el uso de la máquina y las sustancias para las cuales se podrá utilizar, incluida la forma segura de desechar el material recogido.

Hay que cambiar el filtro de cartucho cuando sea necesario.

Esta aspiradora tiene una luz que se enciende cuando la velocidad del aire baja de un nivel prefijado; esto indica que hace falta cambiar el filtro de cartucho.

Esta máquina no es adecuada para la conexión con máquinas generadoras de polvo.

Para poder utilizar la máquina sin peligro, el filtro de cartucho deberá estar sin dañar y en la posición correcta.

ADVERTENCIA:

1. Esta máquina solo debe ser utilizada por personal debidamente capacitado y autorizado.
2. No se debe modificar esta máquina ni sus accesorios.
3. Esta máquina no se debe guardar ni utilizar en ambientes húmedos.
4. No deje que el filtro de cartucho se llene tanto que perjudique el efecto de aspiración. (La luz se encenderá a niveles de velocidad de aire prefijados de < 20 m/s).
5. Esta máquina solo debe ser reparada por personal debidamente capacitado y autorizado.
6. Utilice únicamente repuestos originales de Numatic International Ltd cuando se necesite hacer una reparación.
7. Esta máquina no se debe instalar como sistema de extracción fijo ni dejar desatendida cuando está en funcionamiento.
8. No vuelva a utilizar el cartucho del filtro esencial tras haberlo extraído de la máquina.

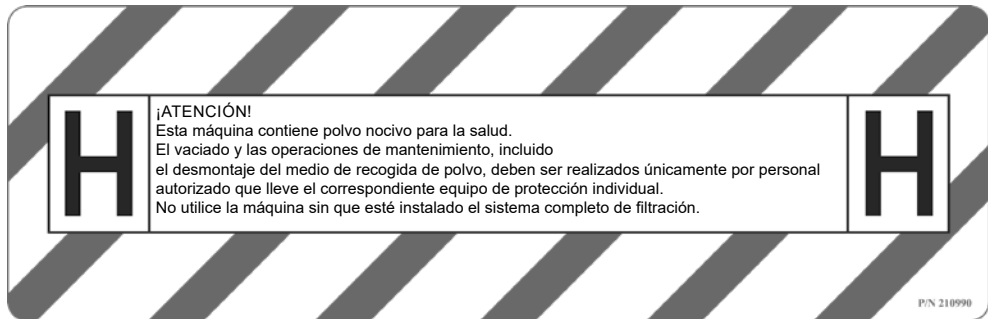
El operario deberá respetar toda la normativa de seguridad que se refiera a los materiales que se están manejando.

Esta máquina está prevista solamente para el uso en seco.

PREPARACIÓN PARA EL USO

Desempaque e identifique cada artículo a partir del albarán.

Verifique que los datos citados concuerden con la información que figura en la etiqueta de características montada en el cabezal.



P/N 210990

Colocación, extracción y eliminación del filtro de cartucho

El filtro de cartucho que contiene el polvo y otros residuos se debe sacar y cambiar únicamente por personal autorizado con el correspondiente equipo de protección individual puesto y en una zona específica para tareas de descontaminación.

No utilice nunca la máquina sin que esté instalado el sistema completo de filtración.

Proceso de eliminación:

Desconecte el tubo, coloque la tapa guardapolvo en la brida para el tubo y desenganche las dos abrazaderas.

Extraiga el filtro de cartucho del cilindro. Coloque el filtro de cartucho en una bolsa de plástico impermeable y selle la bolsa.

Deseche la bolsa de plástico como proceda según los contaminantes que contenga.

MANTENIMIENTO

Todas las piezas de la máquina deben considerarse contaminadas cuando se retiren de la zona del material peligroso y deben tomarse medidas apropiadas para impedir la dispersión del polvo.

Desconecte la máquina de la fuente de alimentación durante su limpieza o mantenimiento, así como al sustituirle una pieza.

Asegúrese de quitar el enchufe de la toma de corriente.

El mantenimiento debe realizarse en una zona adecuada segura y que cuente con instalaciones que permitan limpiar la zona una vez terminado el trabajo de mantenimiento. También deberá contar con ventilación adecuada.

Los trabajos de mantenimiento y limpieza deben ser realizados siempre por personal competente y autorizado que lleve puesto el correspondiente equipo de protección individual.

El filtro de cartucho se debe extraer y revisar para evaluar el grado de contaminación que tiene y posibles daños de las juntas.

Si el filtro de cartucho está dañado o muy contaminado, habrá que sustituirlo.

Los artículos que no se puedan limpiar de manera satisfactoria (como el filtro) se deberán poner en una bolsa de plástico impermeable y desechar de conformidad con la normativa vigente.

Sustituya los artículos que no se puedan limpiar de manera satisfactoria por piezas aprobadas por el fabricante.

Examine periódicamente el cable de alimentación en busca de daños como agrietamiento o envejecimiento. Si estuviera dañado, sustituya el cable antes de volver a utilizar la máquina.

Todos los componentes de esta aspiradora son críticos para la seguridad; sustitúyalos únicamente por los repuestos originales de Numatic correspondientes.

Para fines de mantenimiento por parte del usuario, la máquina se deberá desarmar, limpiar y revisar, en la medida de lo razonablemente posible, sin que ello represente un riesgo para el personal de mantenimiento u otras personas.

Entre las precauciones adecuadas que se deberán tomar están la descontaminación previa al desarmado, la ventilación por extracción localizada con filtración del lugar donde se desarme la máquina, la limpieza de la zona de mantenimiento y el uso de equipos adecuados de protección individual.

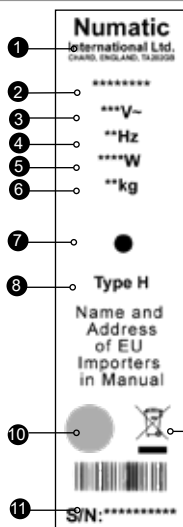
En el caso de las máquinas de clase H, el exterior de la máquina se deberá descontaminar mediante un método de limpieza por aspiración, pasándole luego un paño o tratándolo con un sellador, antes de retirar la máquina de la zona peligrosa, tomándose las medidas correspondientes para impedir la dispersión del polvo. (Se necesita una evaluación de riesgos por el INSSBT).

Una persona competente deberá llevar a cabo una inspección técnica cada año, como mínimo, la cual comprenderá, por ejemplo: la inspección de los filtros por si presentaran algún daño, de la hermeticidad al aire de la máquina y del funcionamiento correcto del mecanismo de control.

Por otra parte, la eficacia de filtración se deberá someter a prueba una vez al año como mínimo, o con más frecuencia según los requisitos reglamentarios del país.

Los métodos de prueba que se pueden emplear para verificar la eficacia de filtración de la máquina se estipulan en la norma EN 60335-2-69 anexo AA (AA22.201.2). Si la máquina no supera la prueba, esta se deberá repetir con un filtro de cartucho nuevo.

(PL) Informacje o maszynie



Tabliczka znamionowa

1	Nazwa i adres przedsiębiorstwa
2	Model
3	Napięcie / Prąd przemienny
4	Częstotliwość
5	Znamionowy pobór mocy
6	Waga (robocza)
7	Wskaźnik niskiego przepływu (jeśli wystąpi).
8	Typ Niebezpieczny
9	Symbol WEEE
10	Znak
11	Rok/tydz. prod./Numer seryjny

Codziennie

Utrzymywać maszynę w czystości, łącznie z rękami i wężami.
Pamiętać o założeniu worka i filtra.
Regularnie sprawdzać stan kabla zasilania.
Często sprawdzać worek pyłowy.
Sprawdzać czystość filtrów.
Raz w tygodniu – konserwacja codzienna oraz:
Sprawdzić części pod kątem zużycia lub uszkodzenia i w razie potrzeby niezwłocznie wymienić.

Codziennie

Przepisy o użytych urządzeniach elektrycznych i elektronicznych
Pozbywając się akcesoriów i materiałów pakowych maszyny, należy je odpowiednio posegregować do utylizacji.

(Tylko dla krajów UE)

Maszyny nie wolno wyrzucać do odpadów domowych! Zużyty sprzęt należy utylizować zgodnie z przepisami dyrektywy 2012/19/EU w sprawie zużytego sprzętu elektrotechnicznego i elektronicznego włączonymi do prawa krajowego.

Maszynę nienadającą się już do użytku należy zebrać oddzielnie i wysłać do przetworzenia w sposób przyjazny dla środowiska z odzyskiem surowców.



PPE Środki ochrony indywidualnej, które mogą okazać się niezbędne podczas wykonywania niektórych czynności.

Ochrona uszu	Obuwie ochronne	Ochrona głowy	Rękawice ochronne	
				Znak ostrzegawczy o śliskiej podłodze
Ochrona oczu	Odzież ochronna	Ochrona przed pyłem/alergenami	Kamizelka odblaskowa	

Uwaga* - Aby określić, które środki ochrony indywidualnej trzeba zastosować, należy wykonać ocenę ryzyka.

Komponenty o krytycznym znaczeniu dla bezpieczeństwa

Przewód zasilający:

H05VV-F 10 m x 3 Core x 1.0 mm²

OSTRZEŻENIE

Przed przystąpieniem do użytkowania maszyny należy zapoznać się z niniejszą instrukcją. Operatorzy muszą zostać odpowiednio przeszkoleni co do właściwej obsługi maszyn.

Przez cały czas użytkowania maszyny czyszczącej, podobnie jak w przypadku każdego urządzenia elektrycznego, należy zachowywać szczególną ostrożność. Ponadto, aby zapewnić bezpieczną eksploatację maszyny, należy regularnie wykonywać zalecane czynności konserwacyjne.

Niewykonywanie konserwacji zgodnie z zaleceniami, a także wymienianie części na niezgodne ze stosowną normą, może spowodować, że użytkowanie maszyny stanie się niebezpieczne, i doprowadzić do wyłączenia odpowiedzialności producenta.

Maszyna jest przeznaczona wyłącznie do UŻYTKU NA SUCHO i nie wolno jej używać ani przechowywać na zewnątrz lub w warunkach dużej wilgotności. Maszyna powinna być odłączona od sieci poprzez wyciągnięcie wtyczki z gniazda zasilania podczas czyszczenia lub konserwacji oraz w razie wymiany części lub przekształcenia maszyny do innego zadania.

To urządzenie nie może być używane przez dzieci lub osoby z ograniczeniami fizycznymi, sensorycznymi lub psychicznymi, ani przez osoby bez doświadczenia lub odpowiedniej wiedzy.

Dzieci muszą znajdować się pod nadzorem, aby uniemożliwić im kontakt z maszyną.

PRZESTROGA

Należy upewnić się, czy układ filtracyjny zamontowany w maszynie nadaje się do aktualnie zbieranego materiału.

Maszyna jest przeznaczona wyłącznie do użytku na sucho.

Maszyna jest przeznaczona wyłącznie do użytku w pomieszczeniach.

Maszynę należy przechowywać wyłącznie wewnątrz budynków

UWAGI

Niniejszy produkt jest zgodny z wymaganiami klauzuli 20 normy IEC/EN 60335-2-69 Stabilność i zagrożenia mechaniczne.

Ta maszyna nadaje się również do zastosowań komercyjnych, np. w hotelach, szkołach, szpitalach, fabrykach, sklepach, wypożyczalniach i biurach – dla innych celów porządkowych.

NALEŻY

- Utrzymywać maszynę w czystości.
- Utrzymywać rury i węże w czystości.
- Niezwłocznie wymieniać zużyte lub uszkodzone części.
- Regularnie sprawdzać stan kabla zasilania. W razie wykrycia pęknięcia lub zużycia kabel zasilania musi zostać wymieniony przez kompetentną osobę z wykorzystaniem odpowiedniej części oryginalnej Numatic.
- Dokonać wymiany zespołu filtra klasy H o numerze 908082 na zespół filtra zatwierdzony przez Numatic, jako część zamienna.
- Używać wyłącznie szczotek dostarczonych z maszyną. Używanie innych szczotek może spowodować pogorszenie bezpieczeństwa.
- Uszkodzony kabel zastąpić tylko odpowiednim kablem zatwierdzonym przez Numatic.

NIE NALEŻY

- Rozwijać kabla jednym pociągnięciem ani nie ciągnąć za kabel, chcąc odłączyć maszynę od źródła zasilania.
- Zasysać gorących popiołów ani palących się niedopałków papierosów czy cygar.
- Używać myjek parowych ani ciśnieniowych do czyszczenia maszyny, ani nie używać jej na deszczu.
- Zanurzać w wodzie w celu oczyszczenia.
- Wykonywać czynności konserwacyjnych ani nie czyścić maszyny, jeśli kabel zasilający nie został odłączony od gniazda zasilania.
- Bezwzględnie zabronione jest umieszczanie w górnym filtrze urządzenia jakichkolwiek przedmiotów w rodzaju odświeżaczy powietrza, kapsulek odświeżających powietrze, granulek zapachowych i innych, nieprzewidzianych specyfikacją wyposażenia przez producenta. Niezastosowanie się do zakazu może okazać się niebezpieczne, skutkować uszkodzeniem urządzenia oraz unieważnić gwarancję producenta.

WAŻNE INFORMACJE DLA UŻYTKOWNIKA

Przed przystąpieniem do użytkowania urządzenia, operatorzy powinni otrzymać informacje i zalecenia oraz zostać przeszkoleni w zakresie użytkowania maszyny oraz substancji, do których ma ona być wykorzystywana, w tym również bezpiecznych sposobów utylizacji zebranego materiału.

Pojemnik na kurz należy w razie konieczności opróżniać, lecz również po każdym użyciu.

Niniejszy odkurzacz posiada lampkę, która zapala się, gdy prędkość powietrza spadnie poniżej wstępnie ustawionego poziomu, co wskazuje na konieczność wymiany worka.

Maszyna nie jest przeznaczona do podłączania do maszyn wytwarzających pył.

Żadne filtry, w tym worek, nie mogą być uszkodzone oraz muszą one być we właściwym położeniu zanim maszynę będzie można bezpiecznie użytkować.

OSTRZEŻENIE:

1. Maszyna może być użytkowana wyłącznie przez odpowiednio przeszkolony i uprawniony personel.
2. W maszynie lub jej akcesoriach nie wolno dokonywać żadnych modyfikacji.
3. Maszyny nie wolno przetrzymywać ani użytkować w środowisku charakteryzującym się dużą wilgotnością.
4. Nie należy dopuścić do tego by worek służący do zbierania pyłu (NVM-2BH) stał się na tyle pełny, by zmniejszać możliwość skutecznego zbierania pyłu przez odkurzacz. (Na wcześniej ustawionych poziomach prędkości powietrza < 16 m/s zapali się lampka).
5. Worka służącego do zbierania pyłu (NVM-2BH) należy używać jedynie jednokrotnie.
6. Maszyna może być naprawiana wyłącznie przez odpowiednio przeszkolony i uprawniony personel.
7. Do napraw należy wykorzystywać wyłącznie oryginalne części zamienne firmy Numatic International Ltd.
8. Maszyny nie wolno instalować jako stałego systemu odpylania lub pozwalać by pracowała bez nadzoru.
9. Nie używać ponownie wkładu filtracyjnego po usunięciu z maszyny.

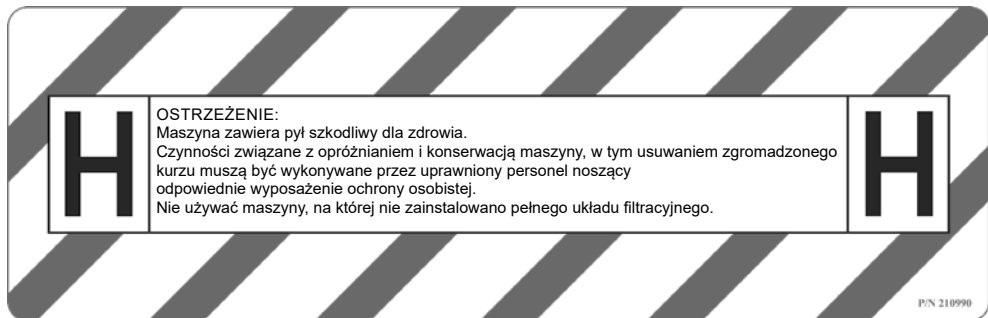
Operatorzy powinni przestrzegać wszelkich przepisów bezpieczeństwa odpowiednich dla obsługiwanych materiałów.

Ta maszyna jest przeznaczona tylko do użytku na sucho.

PRZYGOTOWANIE DO UŻYTKOWANIA

Należy rozpakować oraz zidentyfikować każdy element wyposażenia z dowodu dostawy.

Sprawdzić czy podane informacje szczegółowe odpowiadają informacjom umieszczonym na tabliczce znamionowej zamontowanej na zespole głowicy.



Instalacja / Zdejmowanie / Utylizacja worka pyłowego.

Wkład filtracyjny, w którym gromadzony jest pył oraz śmieci musi być zdejmowany wyłącznie przez uprawniony personel, noszący odpowiednie wyposażenie ochrony osobistej, w wyznaczonym obszarze odkażania.

W żadnym wypadku nie używać maszyny, bez zainstalowanego pełnego układu filtracyjnego.

Proces utylizacji:

Odcłńczyć wąż, zamontować kołpak przeciwkurzowy na kołnierzu węża, odblokować dwa zaciskacze.

Należy zdjąć wkład filtracyjny z bębna. Wkład filtracyjny należy umieścić wewnątrz nieprzepuszczalnego worka tworzywowego, a następnie worek ten należy zamknąć.

Worek z tworzywa należy zutylizować w odpowiedni sposób w zależności od stopnia zanieczyszczenia.

KONSERWACJA

Wszystkie części maszyny należy uważać za zanieczyszczone po usunięciu z obszaru niebezpiecznego, przy czym należy podjąć odpowiednie działania, aby zapobiec rozsiewaniu się pyłu.

Odłączyć zasilanie elektryczne podczas czyszczenia lub konserwacji maszyny lub też podczas wymiany części.

Należy upewnić się, że wtyczka jest wyjęta z gniazdka.

Czynności konserwacyjne należy prowadzić w odpowiednim miejscu nienarażonym na zagrożenia i wyposażonym w urządzenia przeznaczone do sprzątania po wykonaniu serwisowania oraz w odpowiednią wentylację.

Czynności związane z konserwacją i czyszczeniem maszyny muszą być zawsze wykonywane przez uprawniony personel z odpowiednimi kompetencjami, wyposażony w odpowiednie środki ochrony osobistej.

Wkład filtracyjny należy wyjąć i sprawdzić pod kątem stopnia zanieczyszczenia oraz uszkodzenia uszczelek.

Jeżeli wkład filtracyjny lub jakakolwiek jego uszczelka są uszkodzone lub mocno zabrudzone, należy dokonać ich wymiany.

Elementy, które można oczyścić w sposób zadowalający (np. filtr) należy utylizować w nieprzepuszczalnym worku z tworzywa sztucznego zgodnie z obowiązującymi przepisami.

Należy wymienić elementy, których nie można w sposób zadowalający oczyścić używając do tego celu zatwierdzonych części producenta.

Regularnie kontrolować kabel zasilający pod kątem ewentualnych uszkodzeń, np. pęknięć czy starzenia się. W razie stwierdzenia uszkodzenia, niezwłocznie wymienić kabel przed kolejnym użyciem maszyny. Wszystkie części niniejszego odkurzacza są ważne z punktu widzenia bezpieczeństwa i należy je wymieniać na oryginalne części zapasowe firmy Numatic.

W ramach przeprowadzenia serwisu przez użytkownika maszynę należy zdemontować, oczyścić i serwisować w zakresie w jakim jest to w sposób uzasadniony możliwe bez powodowania zagrożeń dla personelu dokonującego konserwacji i pozostałych osób.

Odpowiednie środki ostrożności obejmują odkażanie przed demontażem, zapewnienie lokalnej wentylacji wyciągowej w miejscu demontażu maszyny, oczyszczenie obszaru konserwacji i zapewnienie odpowiedniej ochrony osobistej.

W maszynach klasy H, powierzchnia zewnętrzna maszyny powinna zostać oczyszczona poprzez odkurzenie i dokładnie przetarta lub oczyszczona przy użyciu środka uszczelniającego przed zabraniem jej z obszaru niebezpiecznego. Odpowiednie działania należy podjąć na rzecz zapobiegnięcia rozsiewaniu się pyłu. (Wymagana ocena ryzyka BHP).

Osoba posiadająca odpowiednie kompetencje będzie przeprowadzać kontrolę techniczną co najmniej raz na rok, przy czym będzie ona obejmować na przykład kontrolę filtrów pod kątem uszkodzeń, szczelności powietrznej maszyny i właściwego działania mechanizmu sterującego.

Również raz na rok lub częściej należy sprawdzać wydajność filtracji, zgodnie z wymaganiami przepisów krajowych.

Metody prowadzenia testów, z których można skorzystać w celu sprawdzenia wydajności filtrowania przez maszynę zostały określone w normie EN 60335-2-69 Załącznik AA (AA22.201.2). Jeżeli test nie powiedzie się, należy go powtórzyć z zastosowaniem nowego wkładu filtracyjnego.

Replacement parts, Ersatzteile, Pièces Détachées ,
Reserve Onderdelen, Peças de substituição, Ricambi, Repuestos, Części zamienne

909007	H Class Filter Unit (Sealed)
909199	H Class Filter Unit (Sealed) (French Only)
601101	Hose
909221	Sealing Bung
909244	Cable Tie

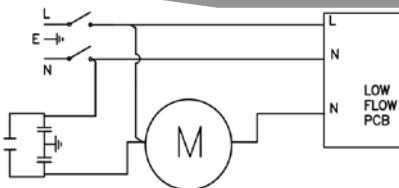
1. HZC 390S-2 2. HZC 390L-2	13 L	26.4m	1. 12.2 kg 2. 13.0 kg	LpA ≤ 70 dB (A)	Class I	1. 450 mm x 400 mm x 600 mm 2. 450 mm x 400 mm x 1010 mm
--------------------------------	------	-------	--------------------------	-----------------	---------	---

1	2	3	4	5	6
Drum Size	Cleaning Range	Weight (Ready to work)	Sound Pressure	Protection Class	Dimensions
Kesselgröße	Reinigungs-bereich	Gewicht (betriebsbereit)	Schalldruck	Schutzklasse	Abmessungen
Taille de cuve	Champs d'action	Poids (prêt à l'emploi)	Pression acoustique	Classe de protection	Dimensions
Ketel afmeting	Bereik	Gewicht (klaar voor gebruik)	Geluidsdruk	Veiligheidsklasse	Afmetingen
Tamanho do tambor	Alcance da limpeza	Peso (pronto a utilizar)	Pressão sonora	Classe de proteção	Dimensão
Capacità serbatoio	Campo di pulizia	Peso (apparecchio pronto per l'uso)	Pressione sonora	Classe di protezione	Dimensioni
Tamaño del cilindro	Alcance de limpieza	Peso (lista para el uso)	Presión sonora	Clase de protección	Dimensiones
Pojemność bębna	Zasięg czyszczenia	Waga (robocza)	Ciśnienie akustyczne	Klasa ochrony	Wymiary

7	8	9	10	11
<20 L/sec	110V 220-240V 50-60 Hz	1000W	230 Mbar 230 (hPa)	31.8 L/sec 114.5 m³/h

7	8	9	10	11
Low Flow Operation	Voltage / Frequency	Power Rating	Max. Under pressure	Max. Flow rate
Betrieb mit niedrigem Durchsatz	Nennspannung / Frequenz	Leistung)	Max. Unterdruck	Max. Durchflussmenge
Fonctionnement à faible débi	Tension d'alimentation / Fréquence	Puissance	Dépression max.	Débit max.
Verminderde zuigkracht	Voltage / Frequentie	Vermogen	Max onder druk	Max. debiet
Operação de baixo fluxo	Tensão / Frequência	Potência nominal	Subpressão máxima	Caudal máximo
Funzionamento a basso flusso	Tensione / Frequenza	Potenza nominale	Pressione max	Portata max
Funcionamiento con caudal bajo	Tensión / Frecuencia	Potencia nominal de entrada	Presión máxima	Caudal máximo
Praca z niskim przepływem	Napięcie Częstotliwość	Moc znamionowa	Maks. podciśnienie	Maks. prędkość przepływu

Schematic Diagram, Schaltplan, Schéma électrique, Bedradingschema, Diagrama esquemático, Schema apparecchio, Esquema eléctrico, Schemat



Numatic

numatic.com

Affix Label Here

Numatic International Limited (Head Office)

Chard, Somerset TA20 2GB, UNITED KINGDOM
Tel: 01460 68600 numatic.com

Numatic International GmbH

Fränkische Straße 15-19, 30455 Hannover, DEUTSCHLAND
Tel: +49 (0) 511 984 2160 numatic.de

Numatic International Denmark

Fränkische Straße 15-19, 30455 Hannover, DEUTSCHLAND
Tel: +45 (0) 316 40808 numatic-online.dk

Numatic International S.A.S

13/17 rue du Valengelier, EAE la Tuilerie, 77500 Chelles, FRANCE
Tel: +33 (0) 164 726 161 numatic.fr

Numatic International BV

Vennootsweg 15, 2404 CG, Alphen aan den Rijn, NEDERLAND
Tel: +31 (0) 172 467 999 numatic.nl

Numatic International Schweiz AG.

Sihlbruggstrasse 3A, 6340 Baar, SCHWEIZ
Tel: +41 (0) 41 768 0760 numatic.ch

Numatic International (PTY) Ltd.

Cnr. 16th & Pharmaceutical Road, Randjes Park, Midrand 1685, SOUTH AFRICA
Tel: +27 (0) 861 686 284 numatic.co.za

Numatic International ULDA

Rua Francisco da Silva Duarte, nº79,
4475-269 Santa Maria de Avioso, Castelo da Maia, PORTUGAL
Tel: +351 220 047 700 numatic.pt

NUMATIC INTERNATIONAL SPAIN, S.L.U.

Av. Baix Llobregat, 5-7, Oficina bajos 1 (Parc Negocis Mas Blau II),
08820 El Prat de Llobregat (Barcelona) SPAIN
Tel: +34 93 647 22 22 numatic.es

Numatic International Italy S.R.L

Via Luigi Galvani, 2, Z.I. Talponedo, 33080 Porcia (PN), ITALY
Tel: +39 (0) 434 046 211 numatic.it